

32Kx12 Memory for PDP-8/E/F/M/A

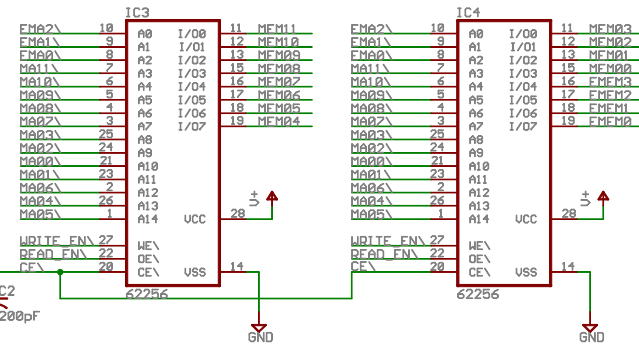
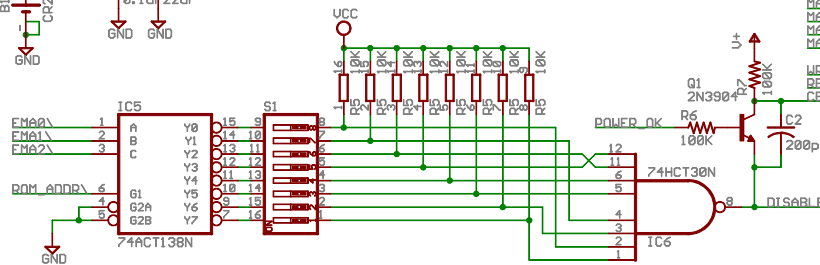
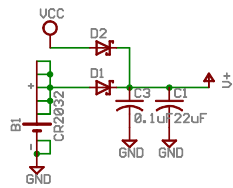
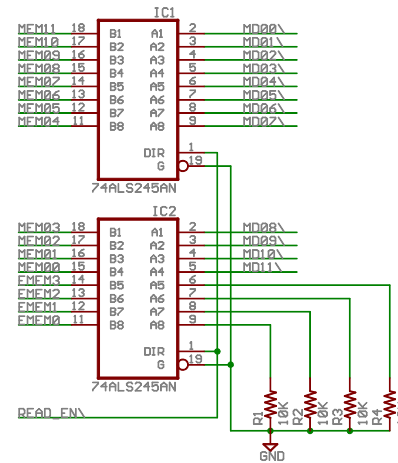
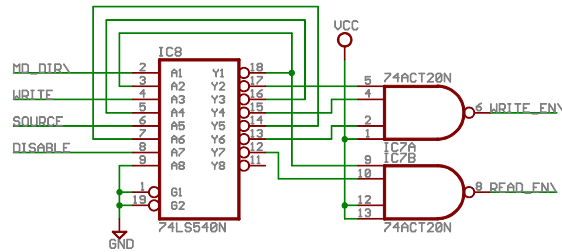
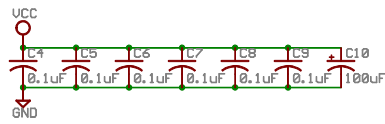
TITLE: Laffertylab

Document Number:
Steve Lafferty, 5/21/13

REV:
1

Date: 6/11/2014 09:22:55a

Sheet: 1/5



32Kx12 Memory for PDP-8/E/F/M/A

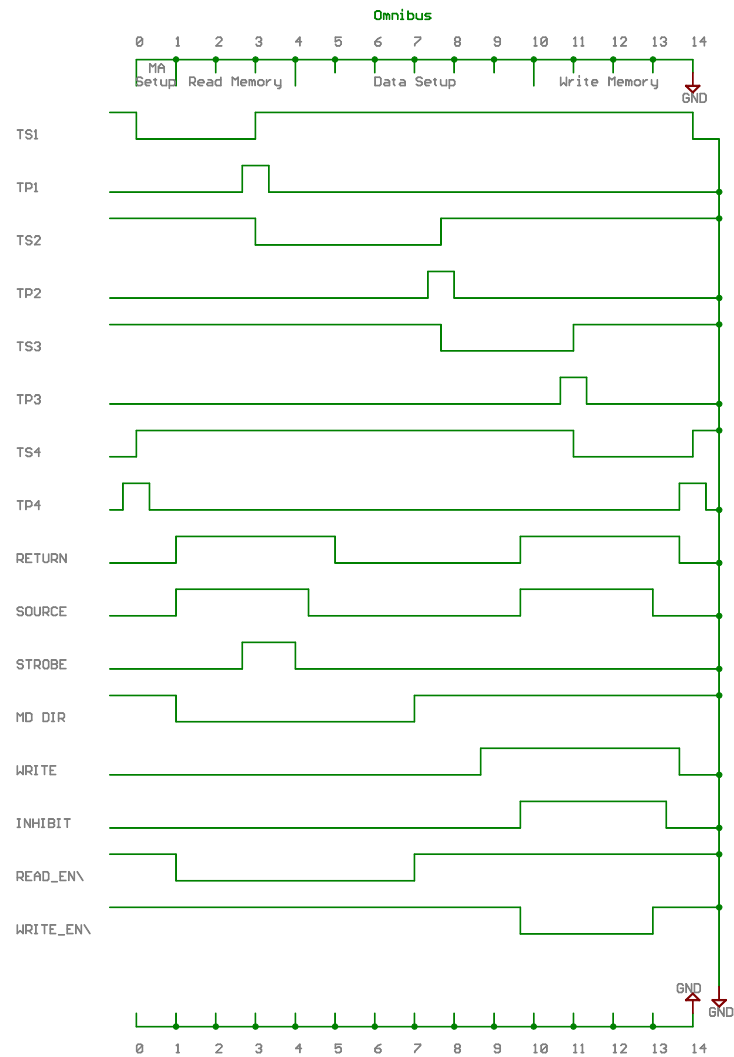
TITLE: Laffertylab

Document Number:
Steve Lafferty, 5/21/13

REV:
1

Date: 6/11/2014 09:22:55a

Sheet: 2/5



32Kx12 Memory for PDP-8/E/F/M/A

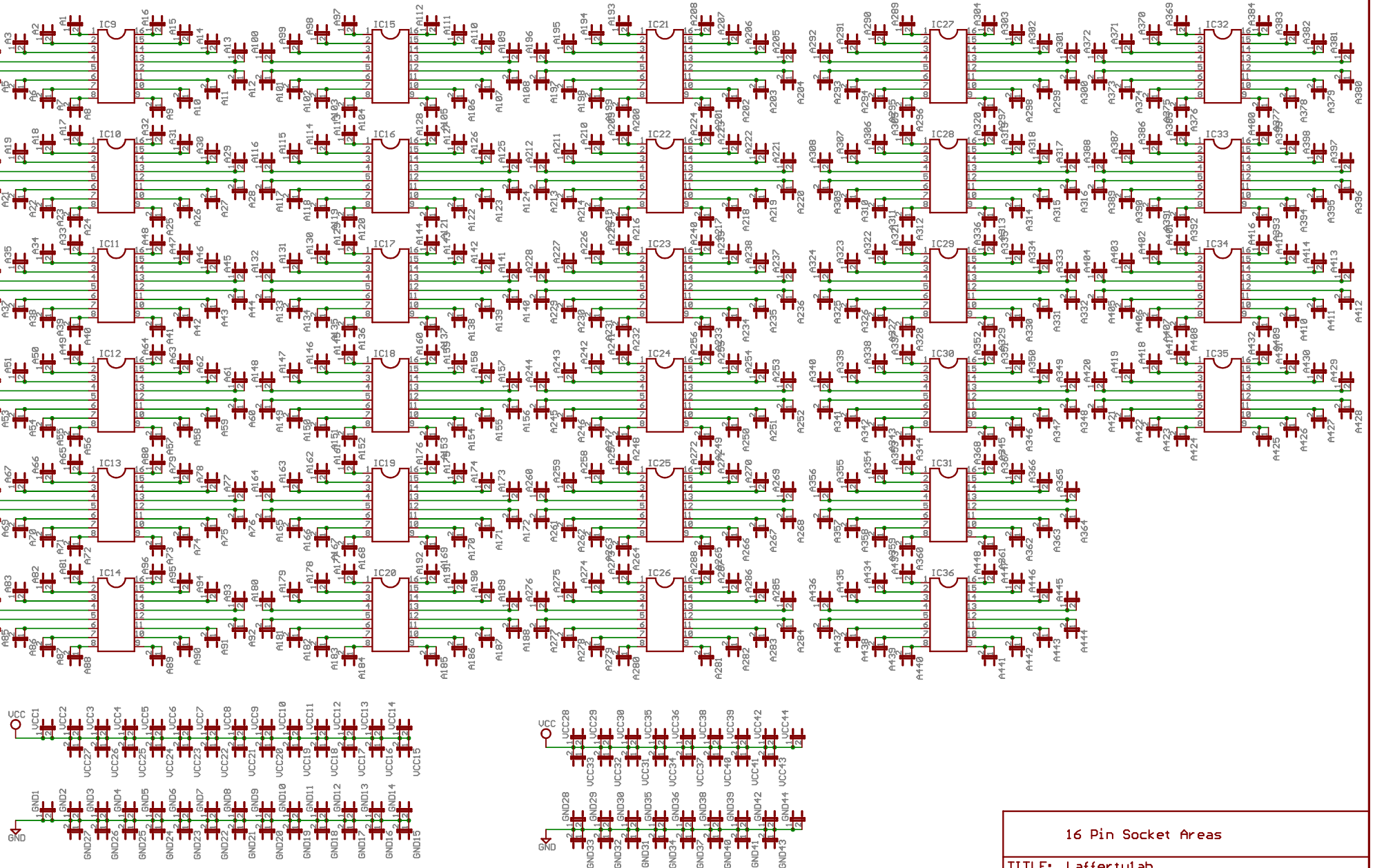
TITLE: Laffertylab

Document Number:
 Steve Lafferty, 5/21/13

REV:
 1

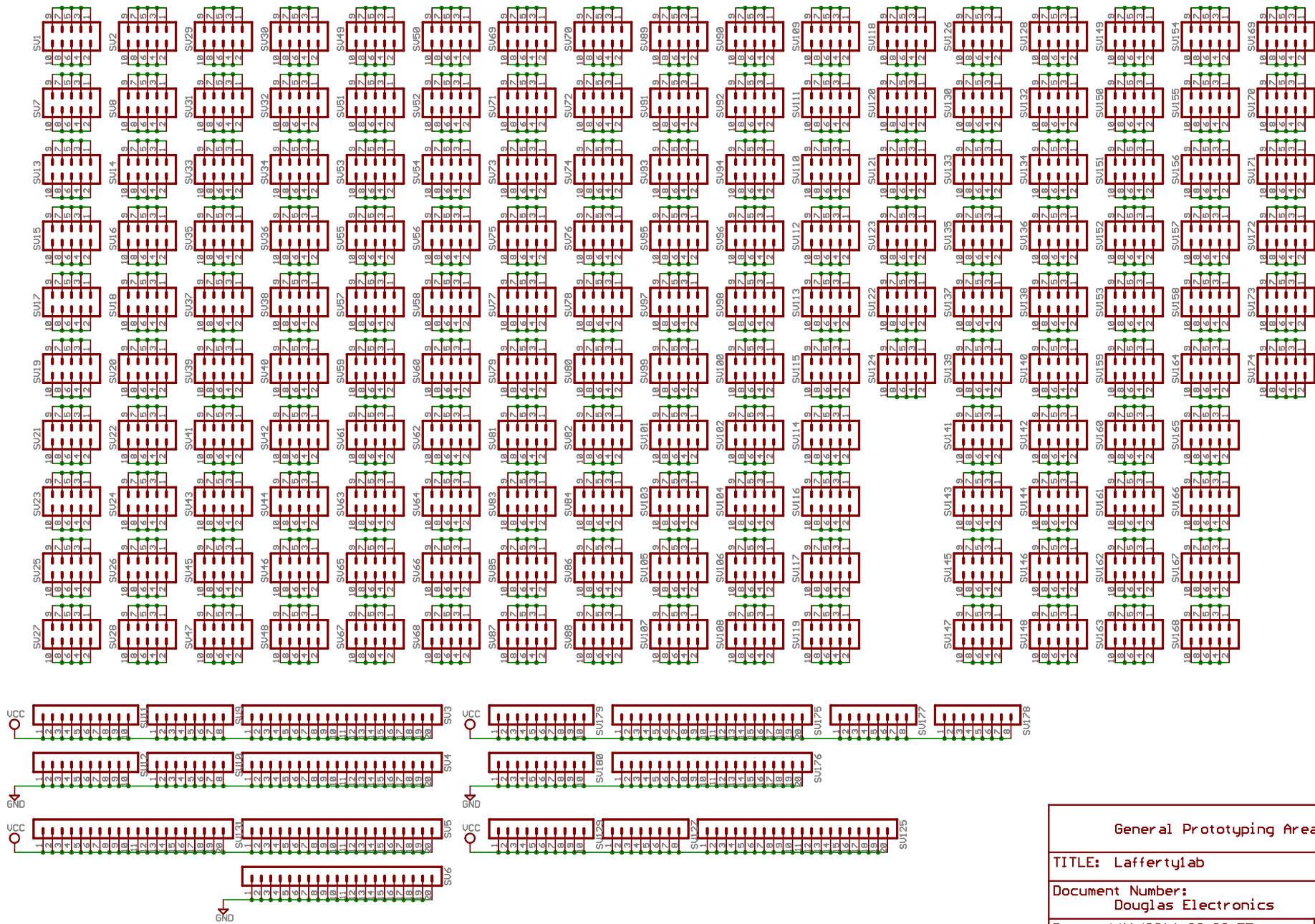
Date: 6/11/2014 09:22:55a

Sheet: 3/5



16 Pin Socket Areas

TITLE: Laffertylab	
Document Number: Douglas Electronics	REV: 1
Date: 6/11/2014 09:22:55a	Sheet: 4/5



General Prototyping Areas

TITLE: Laffertylab

Document Number:
Douglas Electronics

REV:
1

Date: 6/11/2014 09:22:55a

Sheet: 5/5