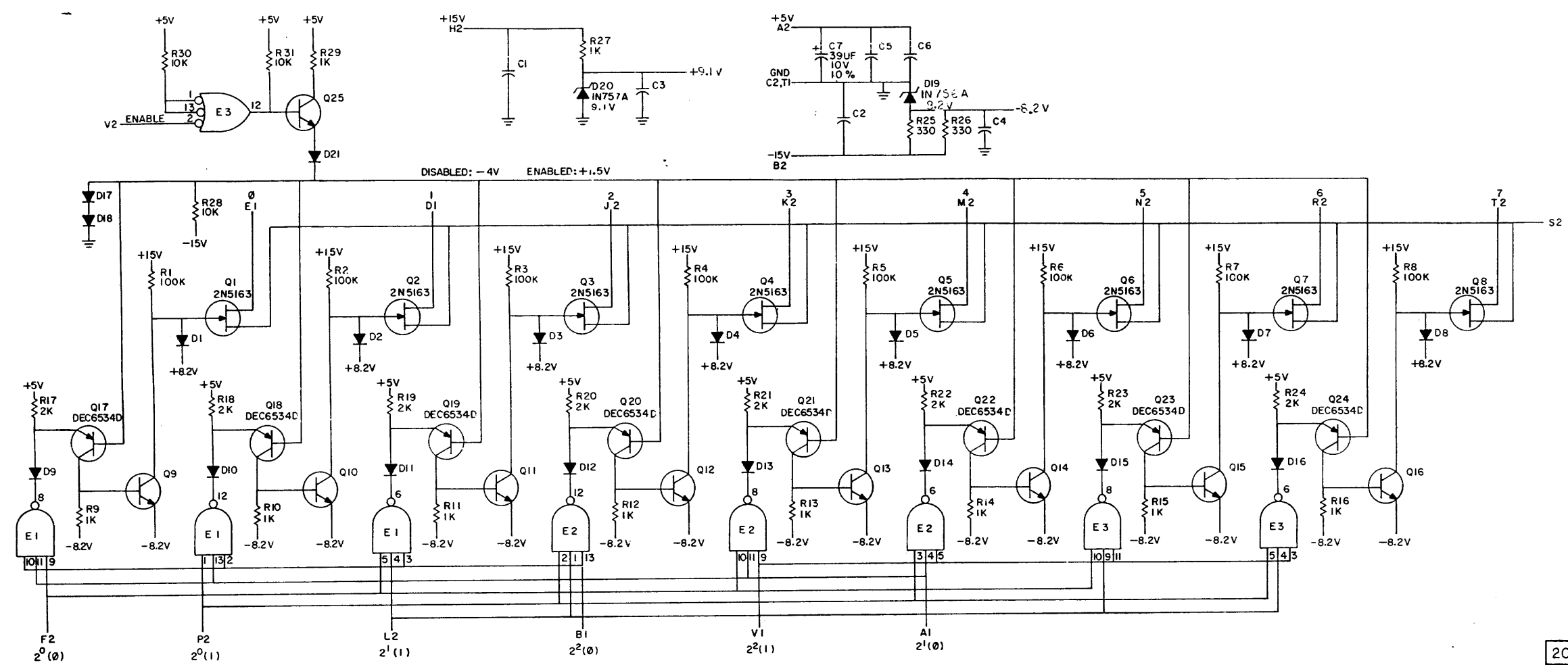
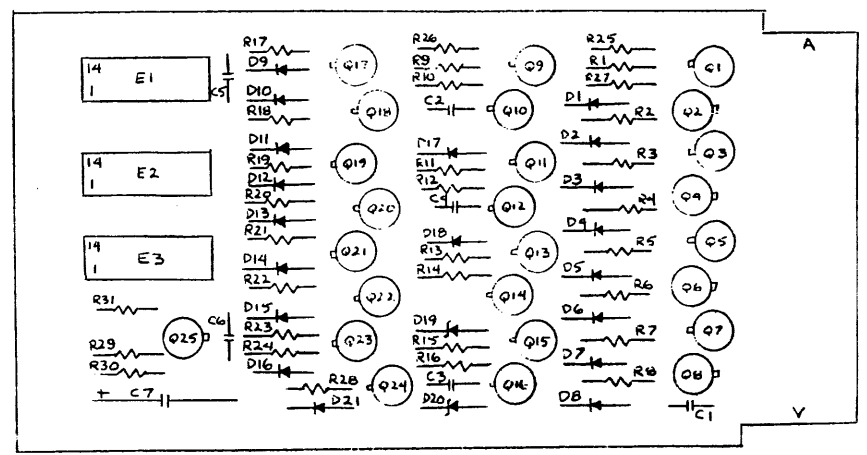


THIS SCHEMATIC IS FURNISHED ONLY FOR TEST AND MAINTENANCE PURPOSES. THE CIRCUITS ARE PROPRIETARY IN NATURE AND SHOULD BE TREATED ACCORDINGLY. COPYRIGHT 1971 BY DIGITAL EQUIPMENT CORPORATION.



UNLESS OTHERWISE INDICATED:
 RESISTORS ARE 1/4W, 5%
 CAPACITORS ARE .01UF, 100V, 20%
 DIODES ARE D664
 TRANSISTORS ARE DEC3009B
 E1, E2, E3 = DEC7410
 PIN 7 = GND
 PIN 14 = +5V ON EACH IC



20	11-09990	DIODE IN757A 9.1V 5%	1
19	1302466	RES 100K 1/4W 5%	8
18	9008337-0	HANDLE, FLIP CHIP - AMBER	1
17	9006732	EYELET #GS 4-7	2
16	1905576	I.C. DEC 7410	3
15	1509233	TRANSISTOR 2N5163	8
14	1503409-00	TRANSISTOR DEC 6534D	8
13	1503100	TRANSISTOR DEC 3009B	9
12	1302388	RES. 2K, 1/4W, 5%	8
11	1300479	RES. 10K, 1/4W, 5%	3
10	1300365	RES. 1K, 1/4W, 5%	10
9	1300295	RES. 330, 1/4W, 5%	2
8	1103441	DIODE IN756A	1
7	1100114	DIODE D664	19
6	1001610	CAP. .01UF, 100V, 20% DISC	6
5	1000076	CAP. .39UF, 10V, 10% S. TANT	1
4	9008683	ETCHED CIRCUIT BOARD	1
3	3-FH-AI33-0-1	MODULE ENCLOSURE	
2	3-AH-AI33-0-5	DRILLING HOLE PAVOLT	
1	R-CO-AI33-C-4	COORDINATE HOLE LOCATION	
FORM NO.	DEC PART NO.	DESCRIPTION	QTY

REVISIONS DATE BY CHECKED DATE BY APPROVED DATE		DATE 1/8/71 S. Cooper DATE 2-2-71 DATE 1/25/68 DATE 12/10/68		TRANSISTOR & DIODE CONVERSION CHART DEC 2N5163 EIA IN3606 DEC 2N5153 EIA IN3606 DEC DEC6534D EIA NP36534R DEC DEC3009B EIA 2N3009B				TITLE ANALOG SWITCH AI33 EQUIPMENT CORPORATION D CS AI33-0-1 PRINTED CIRCUIT REV. 8	
--	--	--	--	--	--	--	--	---	--