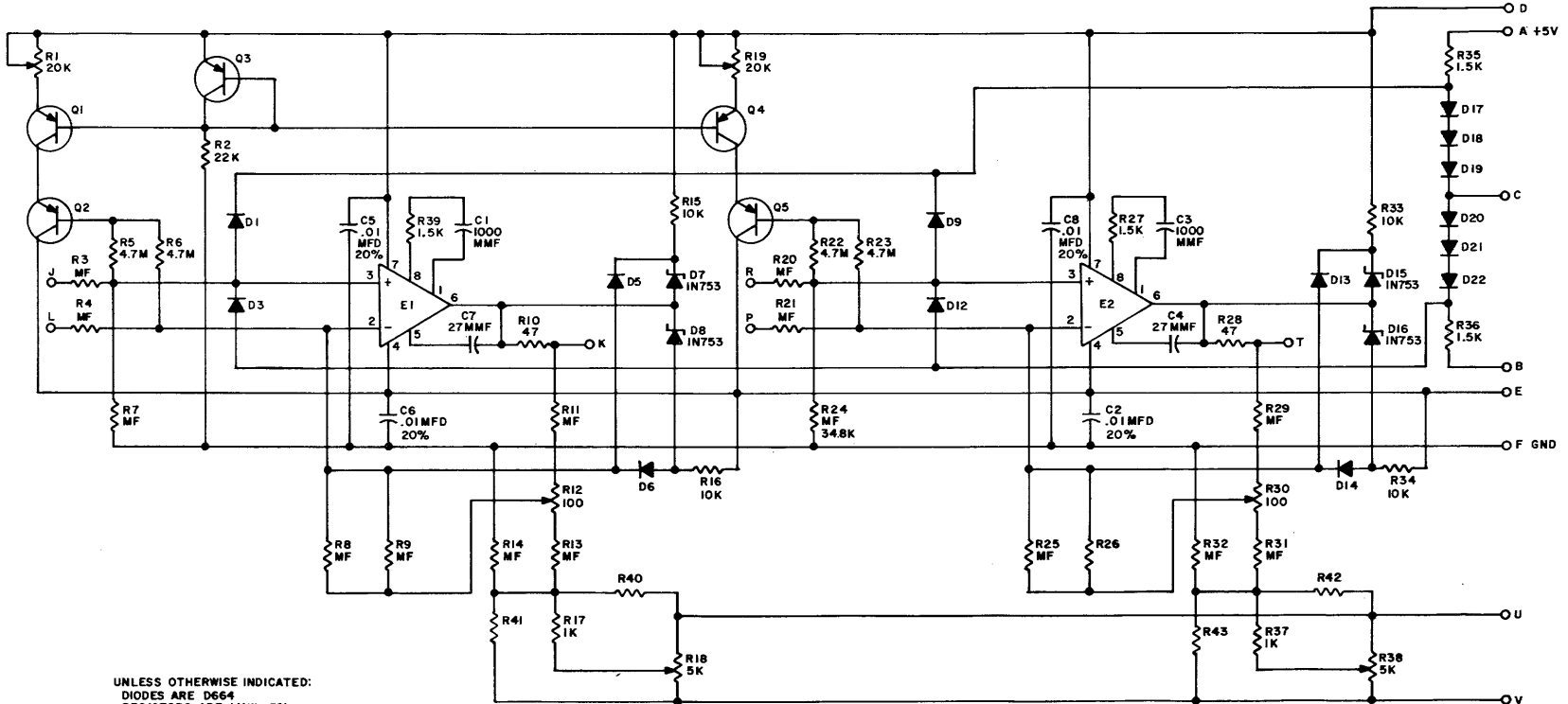


THIS SCHEMATIC IS FURNISHED ONLY FOR TEST AND MAINTENANCE PURPOSES. THE CIRCUITS ARE PROPRIETARY IN NATURE AND SHOULD BE TREATED ACCORDINGLY. COPYRIGHT 1969 BY DIGITAL EQUIPMENT CORPORATION



UNLESS OTHERWISE INDICATED:  
 DIODES ARE D664  
 RESISTORS ARE 1/4W; 5%  
 MF RESISTORS ARE 1/8W; 1%; 100MFP  
 TRANSISTORS ARE 2N4250  
 R1, R19 ARE ALLEN BRADLEY ZV-2032  
 POTS ARE 76PR SERIES  
 E1, E2 ARE MC1709  
 CAPACITORS ARE 100V, 5%

0 → +5	A214-YF	1.2K	68.1K	68.1K	21.5K	21.5K	1M (CC)	2.74K	422	51.1	NONE
0 → +10	A214-YE	1.2K	68.1K	68.1K	12.1K	12.1K	274K	2.61K	422	75	NONE
0 → -2	A214-YD	NONE	34.8K	34.8K	34.8K	34.8K	4.7M	1.96K	348	90.9	1.2K
±10	A214-YC	NONE	64K	64K	5.48K	3.48K	39K	2.61K	261	38.3	NONE
±5	A214-YB	NONE	68.1K	68.1K	12.1K	12.1K	365K	2.61K	422	90.9	NONE
0 → +2	A214-YA	1.2K	34.8K	34.8K	34.8K	34.8K	4.7M	1.96K	348	90.9	NONE
±1	A214	NONE	34.8K	34.8K	34.8K	34.8K	4.7M	1.96K	422	38.3	NONE
INPUT VOLTAGE RANGE		R41	R3	R4	R7	R8	R9	R11	R13	R14	R40
VARIATION		R43	R20	R21	R24	R25	R26	R29	R31	R32	R42

TRANSISTOR & DIODE CONVERSION CHART			
DATE	BY	DESCRIPTION	REVISION
3-5-69	W. M. Allen	IN3606	
4/2/65	R. S. G.	2N4250	

**digital**  
 EQUIPMENT CORPORATION  
 MAYFORD, MASSACHUSETTS

TITLE: 2 ANALOG AMPLIFIERS A214  
 SIZE: C CODE: CS A214-0-1 NUMBER: B REV: B  
 PRINTED CIRCUIT REV: B

REVISIONS	DATE	BY	DESCRIPTION
1	3-5-69	W. M. Allen	IN3606
2	4/2/65	R. S. G.	2N4250