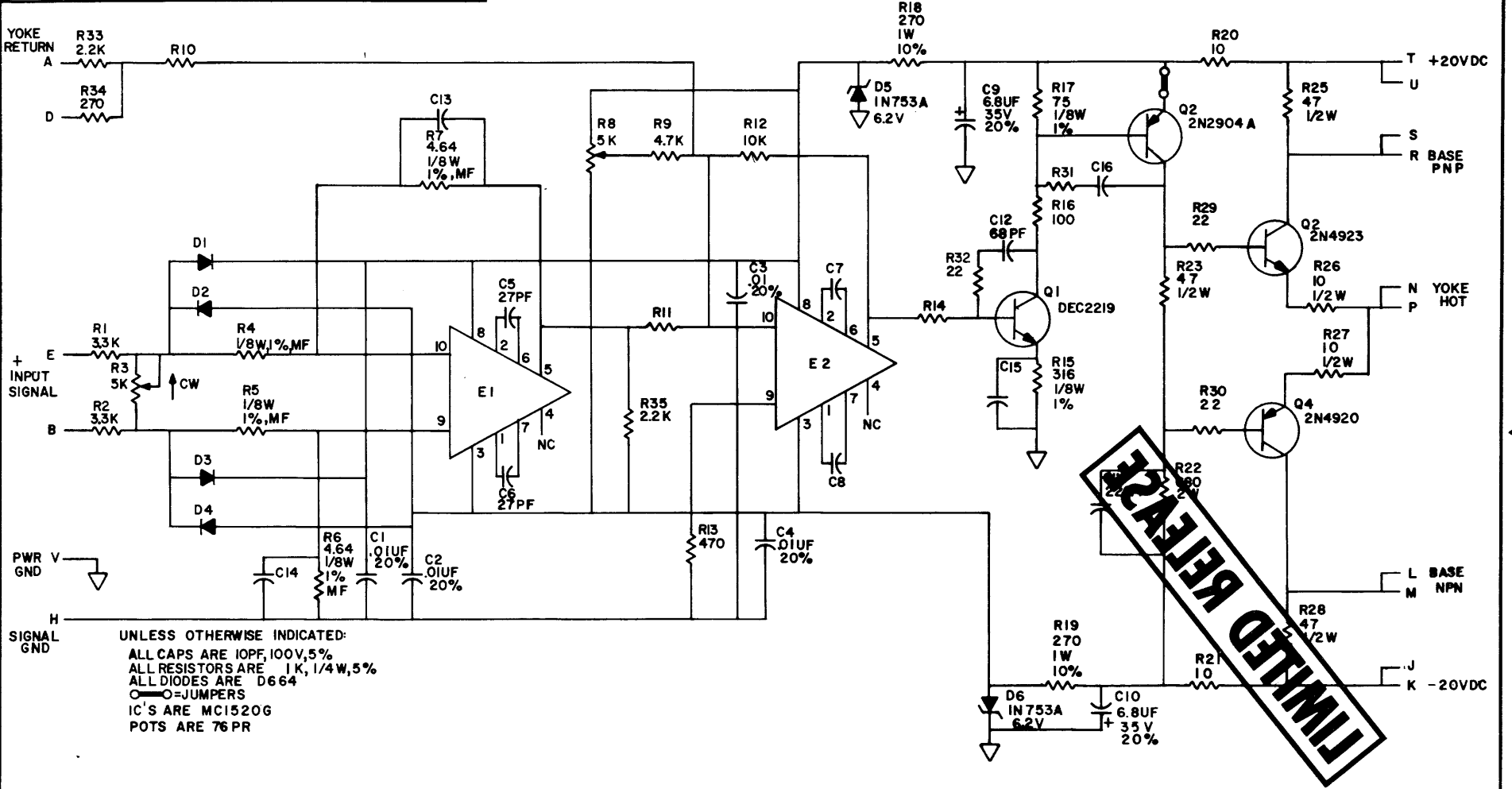


THIS SCHEMATIC IS FURNISHED ONLY FOR TEST AND MAINTENANCE PURPOSES. THE CIRCUITS ARE PROPRIETARY IN NATURE AND SHOULD BE TREATED ACCORDINGLY. COPYRIGHT 1970 BY DIGITAL EQUIPMENT CORPORATION



UNLESS OTHERWISE INDICATED:
 ALL CAPS ARE 10PF, 100V, 5%
 ALL RESISTORS ARE 1K, 1/4W, 5%
 ALL DIODES ARE D664
 C=O=JUMPERS
 IC'S ARE MC1520G
 POTS ARE 76PR

REVISIONS	CHK	CHG	NO	REV

DRN	DATE
<i>S. Schmitt</i>	6-10-70
CHK'D	DATE
<i>S. Schmitt</i>	2-7-70
ENG	DATE
<i>B. Bolander</i>	12-8-70
PROD.	DATE

TRANSISTOR & DIODE CONVERSION CHART			
DEC	EIA	DEC	EIA
DEC2219	2N2219		
2N4920	SAME		
D664	1N3606		
1N753	SAME		

digital
 EQUIPMENT CORPORATION
 MAYNARD, MASSACHUSETTS

TITLE DEFLECTION AMPLIFIER			
A225			
SIZE	CODE	NUMBER	REV
B	CS	A225-0-1	A
PRINTED CIRCUIT REV.			
B			

Pink Blue