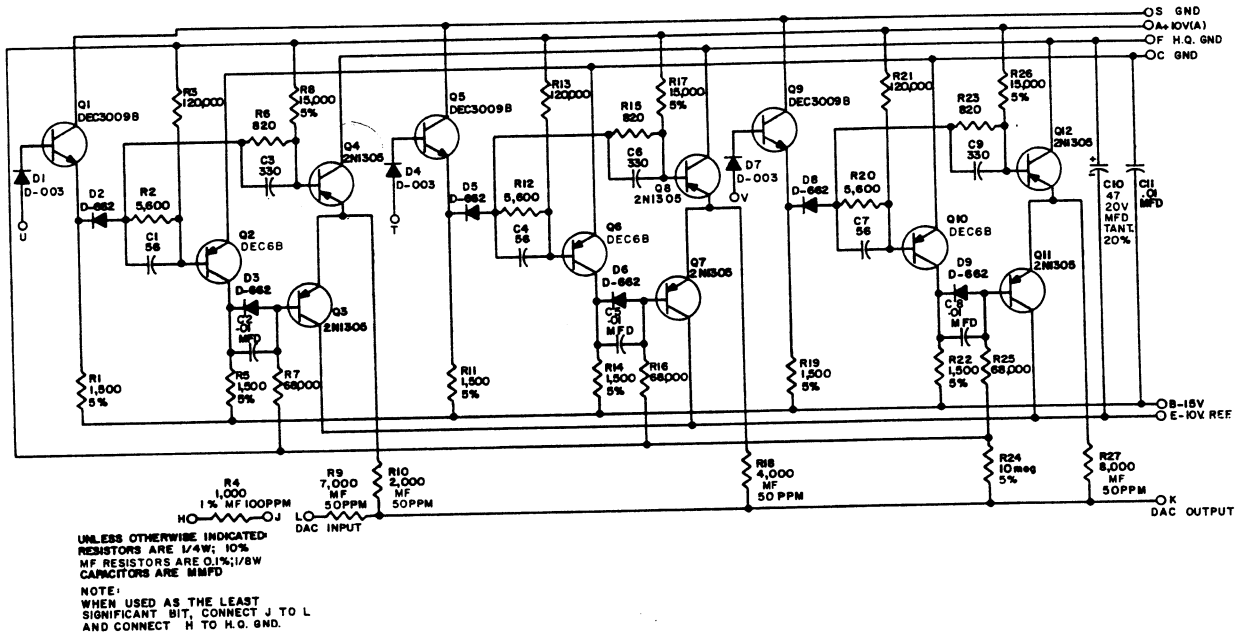
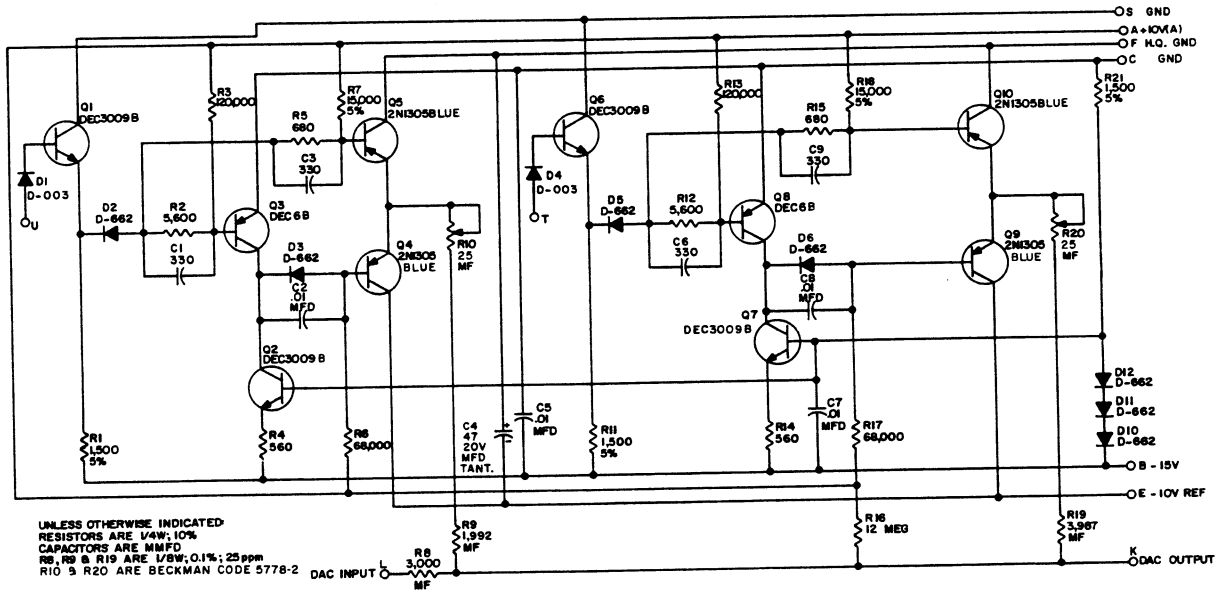


1311
1913
2155
3398
1881



2N1305 15-00581 A601 Digital-Analog Converter
PAP 150mW



A604 Digital-Analog