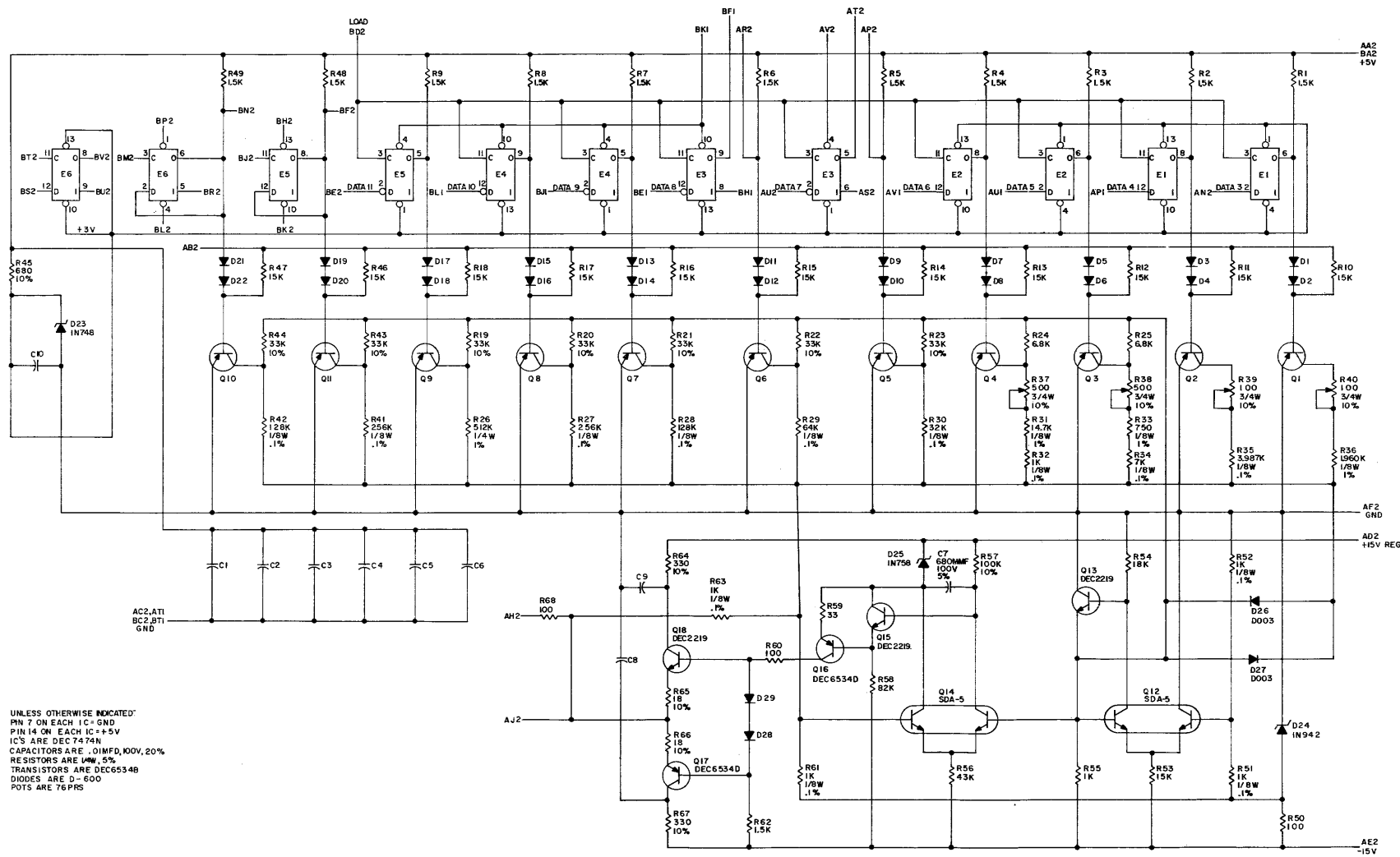


THIS SCHEMATIC IS FURNISHED ONLY FOR TEST AND MAINTENANCE PURPOSES. THE CIRCUITS ARE PROPRIETARY IN NATURE AND SHOULD BE TREATED ACCORDINGLY. COPYRIGHT 1965 BY DIGITAL EQUIPMENT CORPORATION.



UNLESS OTHERWISE INDICATED
 PIN 7 ON EACH IC = GND
 PIN 14 ON EACH IC = +5V
 IC'S ARE DEC 7410
 CAPACITORS ARE .01MFD, 100V, 20%
 RESISTORS ARE 1/4W, 5%
 TRANSISTORS ARE DEC6534B
 DIODES ARE D-600
 POTS ARE T6PMS

REV	DATE	BY	CHKD	APP'D	TRANSISTOR & DIODE CONVERSION CHART		TITLE DIGITAL TO ANALOG CONVERTER A615																					
1	DEC 1965	W. J.	<table border="1"> <tr> <th>TRANSISTOR</th> <th>DEC</th> <th>EMA</th> <th>DEC</th> <th>EMA</th> </tr> <tr> <td>7410</td> <td>7410</td> <td>7410</td> <td>7410</td> <td>7410</td> </tr> <tr> <td>6534B</td> <td>6534B</td> <td>6534B</td> <td>6534B</td> <td>6534B</td> </tr> <tr> <td>6534C</td> <td>6534C</td> <td>6534C</td> <td>6534C</td> <td>6534C</td> </tr> </table>			TRANSISTOR	DEC	EMA	DEC	EMA	7410	7410	7410	7410	7410	6534B	6534B	6534B	6534B	6534B	6534C	6534C	6534C	6534C	6534C	DSK CODE CS A615-0-1
TRANSISTOR	DEC	EMA	DEC	EMA																								
7410	7410	7410	7410	7410																								
6534B	6534B	6534B	6534B	6534B																								
6534C	6534C	6534C	6534C	6534C																								