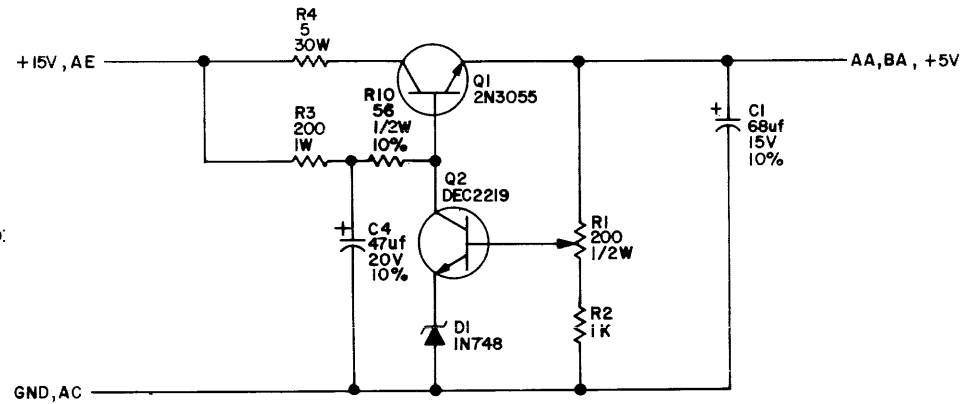
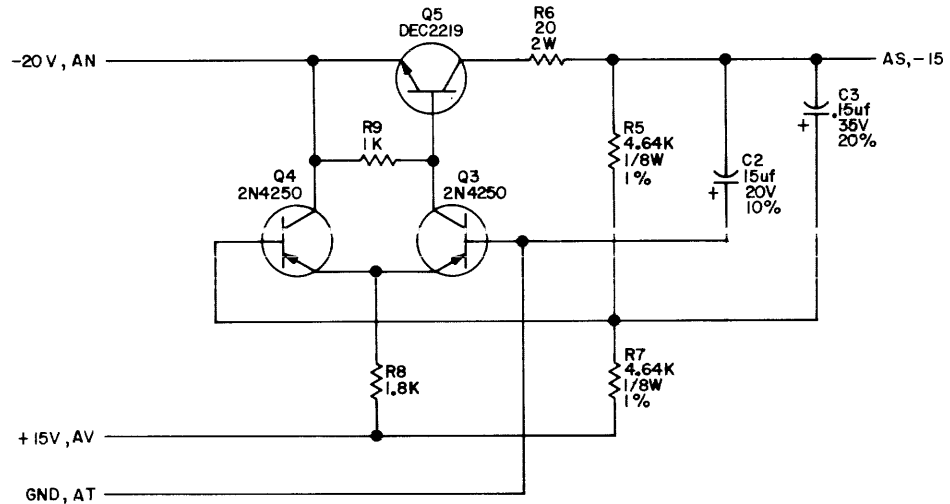


REV.	NUMBER	CS	B	SIZE
	A708-0-1			

THIS SCHEMATIC IS FURNISHED ONLY FOR TEST AND MAINTENANCE PURPOSES. THE CIRCUITS ARE PROPRIETARY IN NATURE AND SHOULD BE TREATED ACCORDINGLY. COPYRIGHT 1970 BY DIGITAL EQUIPMENT CORPORATION



UNLESS OTHERWISE INDICATED:  
RESISTORS ARE 1/4W, 5%

A708-2

REVISIONS	CHK	CHG NO.	REV.
		00001	A
		00002	B
		00003	C
		00004	D
		00005	E
		00006	F

DRN. ALLAN RITCEY	DATE 2-12-70
CHKD. <i>[Signature]</i>	DATE 2-13-70
ENG. <i>[Signature]</i>	DATE 3-11-70
PROD.	DATE

TRANSISTOR & DIODE CONVERSION CHART			
DEC		EIA	
IN748		IN748	
DEC2219		2N2219	
2N4250		SAME	
2N3055		SAME	

**digital**  
EQUIPMENT  
CORPORATION  
MAYNARD, MASSACHUSETTS

TITLE DUAL VOLTAGE REGULATOR A708			
SIZE B	CODE CS	NUMBER A708-0-1	REV. F
PRINTED CIRCUIT REV.			D

DEC FORM NO.  
DRB 102

4  
DIST. 32414341435 R

Pink