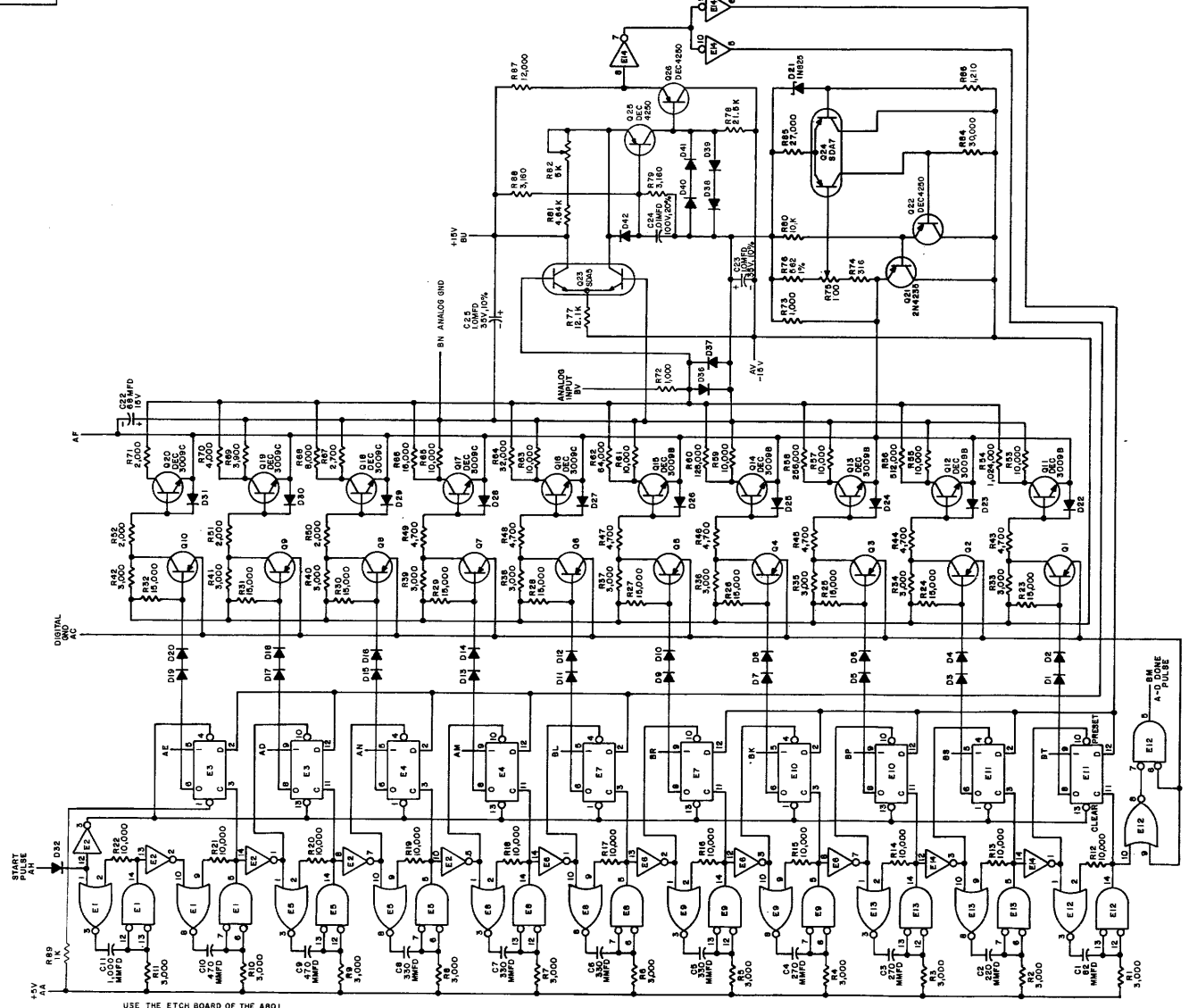


THIS SCHEMATIC IS FURNISHED ONLY FOR TEST AND MAINTENANCE PURPOSES. THE CIRCUITS ARE PROPRIETARY IN NATURE AND SHOULD BE TREATED ACCORDINGLY. COPYRIGHT 1968 BY DIGITAL EQUIPMENT CORPORATION.

0-118Y C 1002 225



USE THE ETCH BOARD OF THE A801

REVISIONS	DATE	BY	CHKD
1	10/20/68	J. G. ...	J. G. ...
2	11/15/68	J. G. ...	J. G. ...

TRANSISTOR & DIODE CONVERSION TABLE	
MC	2N4340
DA	1N4148
DC	1N4148
DB	1N4148
DE	1N4148
DF	1N4148
DG	1N4148
DH	1N4148
DI	1N4148
DJ	1N4148
DK	1N4148
DL	1N4148
DM	1N4148
DN	1N4148
DO	1N4148
DP	1N4148
DQ	1N4148
DR	1N4148
DS	1N4148
DT	1N4148
DU	1N4148
DV	1N4148
DW	1N4148
DX	1N4148
DY	1N4148
DZ	1N4148

RESISTORS	VALUES
R1-R100	1% TOLERANCE
R1-R100	5% TOLERANCE
R1-R100	10% TOLERANCE

TRANSISTOR & DIODE CONVERSION TABLE	
MC	2N4340
DA	1N4148
DC	1N4148
DB	1N4148
DE	1N4148
DF	1N4148
DG	1N4148
DH	1N4148
DI	1N4148
DJ	1N4148
DK	1N4148
DL	1N4148
DM	1N4148
DN	1N4148
DO	1N4148
DP	1N4148
DQ	1N4148
DR	1N4148
DS	1N4148
DT	1N4148
DU	1N4148
DV	1N4148
DW	1N4148
DX	1N4148
DY	1N4148
DZ	1N4148

RESISTORS	VALUES
R1-R100	1% TOLERANCE
R1-R100	5% TOLERANCE
R1-R100	10% TOLERANCE

digital		TITLE	
EQUIPMENT CORPORATION		A-D CONVERTER IO BIT AB11	
SIZE	100	DATE	10/20/68
REV	1	BY	J. G. ...
PRINTED CIRCUIT REV. E			

UNLESS OTHERWISE INDICATED:
RESISTORS ARE 1/4W, 5%
DIODES ARE D084

PN 7 = 2N4001
PN 8 = 2N4001
PN 9 = 2N4001
PN 10 = 2N4001
PN 11 = 2N4001
PN 12 = 2N4001
PN 13 = 2N4001
PN 14 = 2N4001
PN 15 = 2N4001
PN 16 = 2N4001
PN 17 = 2N4001
PN 18 = 2N4001
PN 19 = 2N4001
PN 20 = 2N4001
PN 21 = 2N4001
PN 22 = 2N4001
PN 23 = 2N4001
PN 24 = 2N4001
PN 25 = 2N4001
PN 26 = 2N4001
PN 27 = 2N4001
PN 28 = 2N4001
PN 29 = 2N4001
PN 30 = 2N4001
PN 31 = 2N4001
PN 32 = 2N4001
PN 33 = 2N4001
PN 34 = 2N4001
PN 35 = 2N4001
PN 36 = 2N4001
PN 37 = 2N4001
PN 38 = 2N4001
PN 39 = 2N4001
PN 40 = 2N4001
PN 41 = 2N4001
PN 42 = 2N4001
PN 43 = 2N4001
PN 44 = 2N4001
PN 45 = 2N4001
PN 46 = 2N4001
PN 47 = 2N4001
PN 48 = 2N4001
PN 49 = 2N4001
PN 50 = 2N4001
PN 51 = 2N4001
PN 52 = 2N4001
PN 53 = 2N4001
PN 54 = 2N4001
PN 55 = 2N4001
PN 56 = 2N4001
PN 57 = 2N4001
PN 58 = 2N4001
PN 59 = 2N4001
PN 60 = 2N4001
PN 61 = 2N4001
PN 62 = 2N4001
PN 63 = 2N4001
PN 64 = 2N4001
PN 65 = 2N4001
PN 66 = 2N4001
PN 67 = 2N4001
PN 68 = 2N4001
PN 69 = 2N4001
PN 70 = 2N4001
PN 71 = 2N4001
PN 72 = 2N4001
PN 73 = 2N4001
PN 74 = 2N4001
PN 75 = 2N4001
PN 76 = 2N4001
PN 77 = 2N4001
PN 78 = 2N4001
PN 79 = 2N4001
PN 80 = 2N4001
PN 81 = 2N4001
PN 82 = 2N4001
PN 83 = 2N4001
PN 84 = 2N4001
PN 85 = 2N4001
PN 86 = 2N4001
PN 87 = 2N4001
PN 88 = 2N4001
PN 89 = 2N4001
PN 90 = 2N4001
PN 91 = 2N4001
PN 92 = 2N4001
PN 93 = 2N4001
PN 94 = 2N4001
PN 95 = 2N4001
PN 96 = 2N4001
PN 97 = 2N4001
PN 98 = 2N4001
PN 99 = 2N4001
PN 100 = 2N4001

PARTS LIST IS A-PL-AB11-0-0