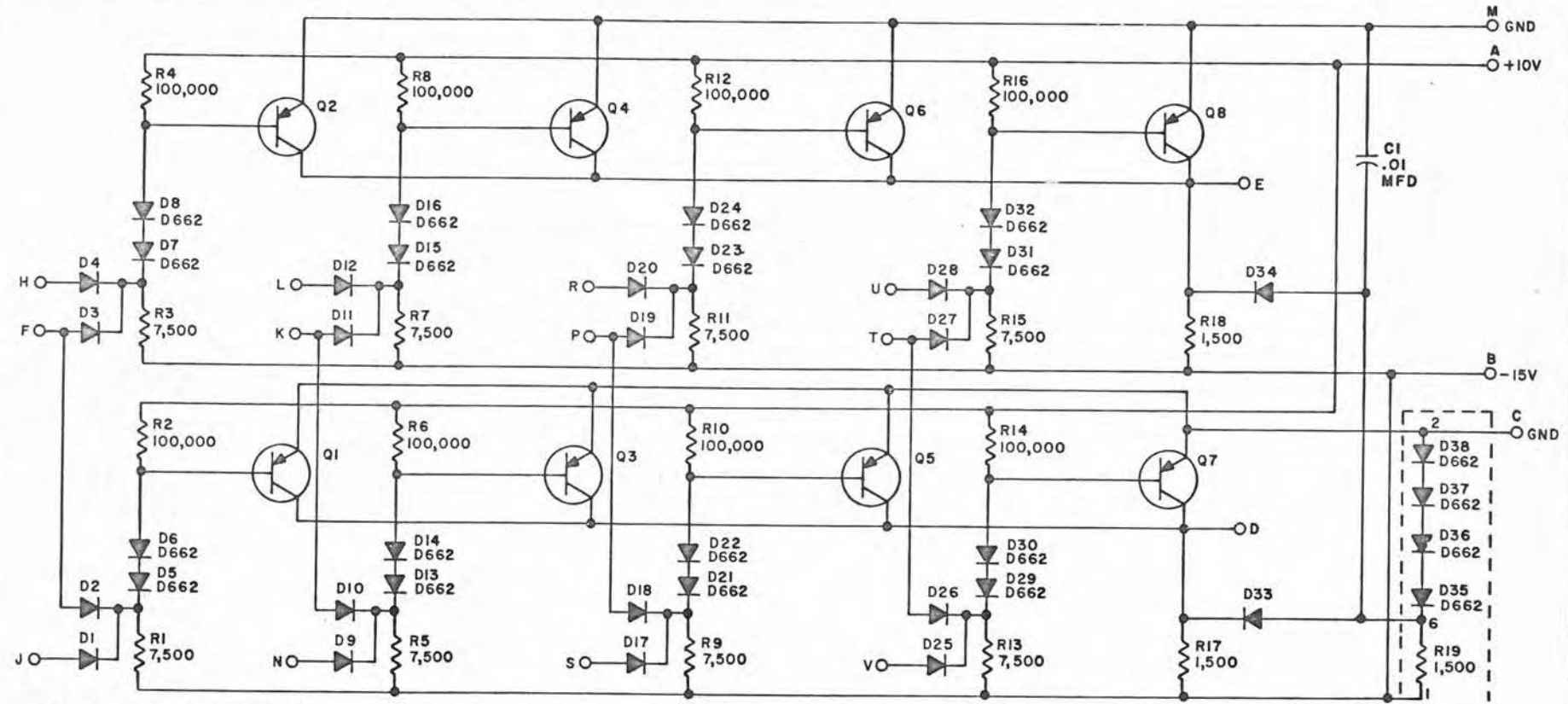


REV. C  
 NUMBER B169-0-1  
 SIZE B  
 CODE CS  
 NUMBER

THIS SCHEMATIC IS FURNISHED ONLY FOR TEST AND MAINTENANCE PURPOSES. THE CIRCUITS ARE PROPRIETARY IN NATURE AND SHOULD BE TREATED ACCORDINGLY. COPYRIGHT 1966 BY DIGITAL EQUIPMENT CORPORATION



UNLESS OTHERWISE INDICATED:  
 RESISTORS ARE 1/4W; 5%  
 DIODES ARE D664  
 TRANSISTORS ARE 2N4258

REV	NO	CHK	CHG
A	5409		
B	5843		
C	5497		

DRN. *M. J. ...*  
 DATE *5/2/66*  
 CHK'D *R. ...*  
 DATE *5/2/66*  
 ENGR. *R. ...*  
 DATE *5/2/66*  
 PROD. *R. ...*  
 DATE

TRANSISTOR & DIODE CONVERSION CHART			
DEC	EIA	DEC	EIA
2N4258	SAME		
D662	1N648		
D664	1N3606		

**digital**  
 EQUIPMENT CORPORATION  
 MAYNARD, MASSACHUSETTS

TITLE INVERTER B169			
SIZE B	CODE CS	NUMBER B169-0-1	REV. C
PRINTED CIRCUIT REV.			B