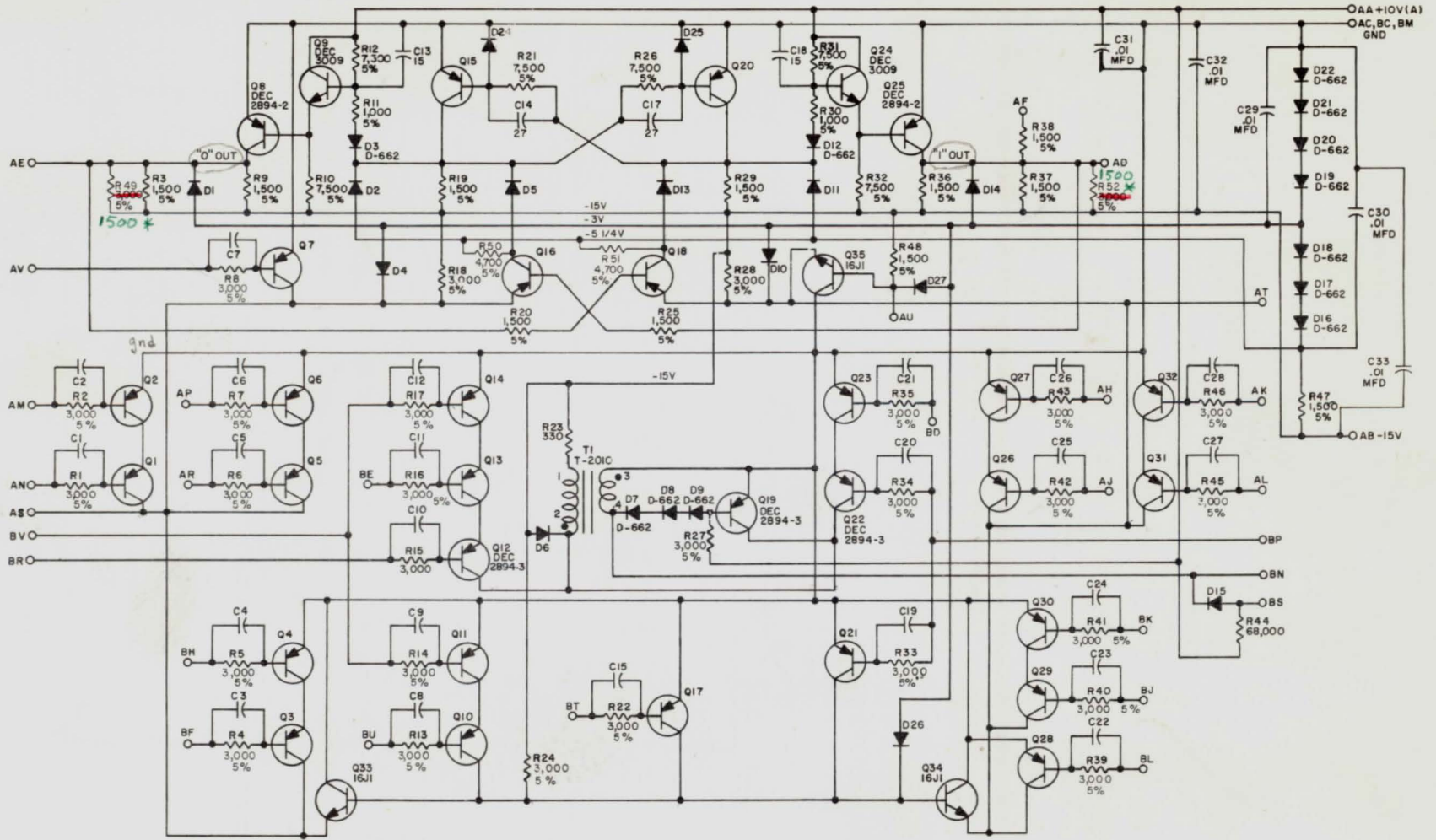


11-15

F-77



UNLESS OTHERWISE INDICATED:  
RESISTORS ARE 1/4W; 10%

CAPACITORS ARE 56 MMFD  
DIODES ARE D-664  
TRANSISTORS ARE DEC 2894-1

\*CHANGED ON ALL MODULES (ECO # \_\_\_)

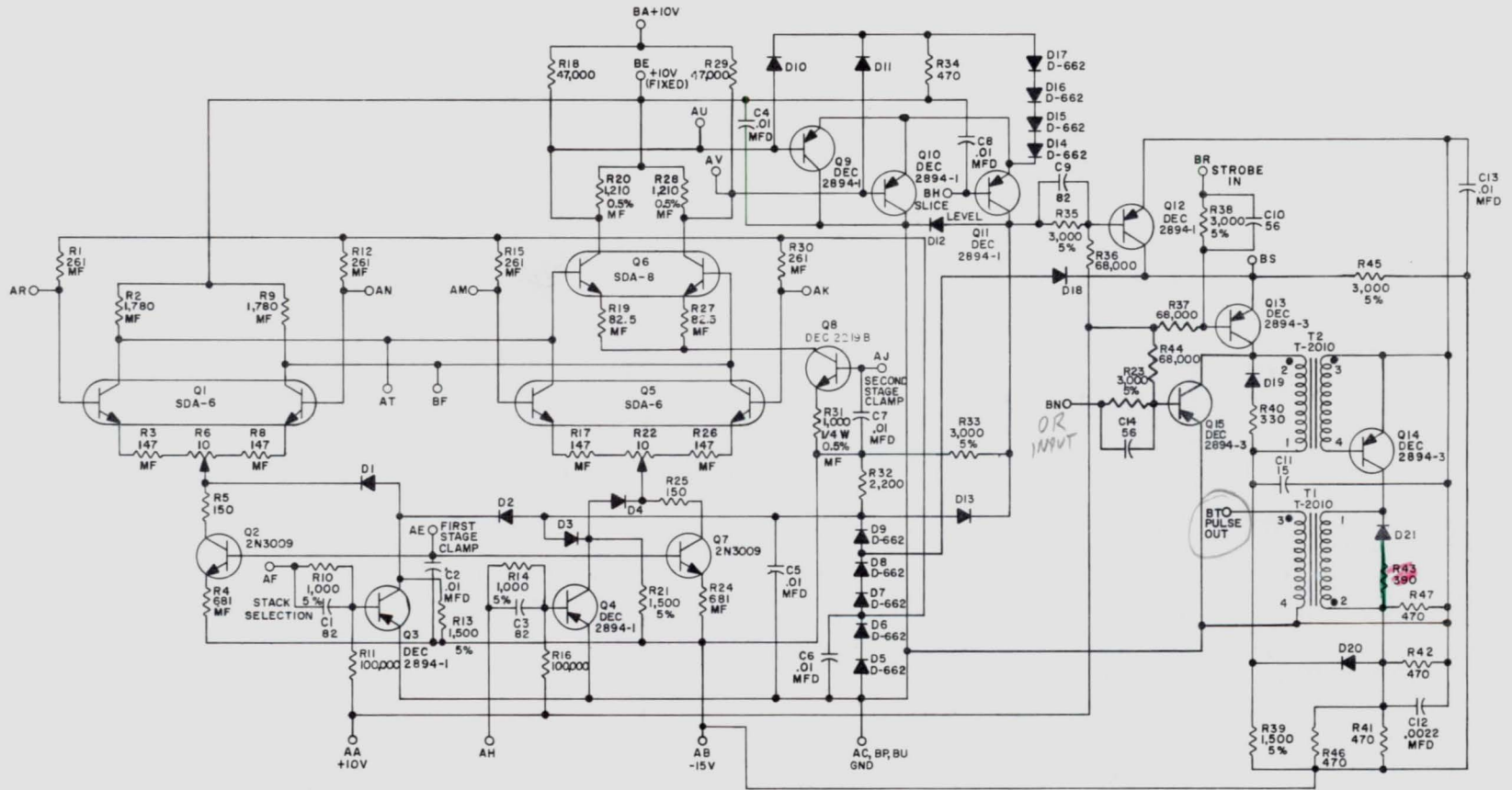
TRANSISTOR & DIODE CONVERSION CHART			
DEC	EIA	DEC	EIA
DEC 2894-1	DEC 2894	D-664	IN3606
DEC 2894-2	DEC 2894	16J1	2N3605
DEC 2894-3	DEC 2894		
DEC 3009	2N 3009		
D-662	1N645		

2N3605 OR GET 914  
(16J1 & 2N3605 are  
obsolete types—replaced  
by GET 914.

PDP-7 Accumulator RS-C-B210-3

(THIS DWG APPLIES TO  
ALL MODULES IN PDP-7A-113)

11-16  
F-77



UNLESS OTHERWISE INDICATED,  
 RESISTORS ARE 1/4W, 10%  
 CAPACITORS ARE MMFD  
 DIODES ARE D-664  
 R6 & R22 ARE DAYSTRIM TRANSITIM  
 MF RESISTORS ARE 1/8W; 1%, 100ppm/°C WITH T1 CHARACTERISTIC

TRANSISTOR & DIODE CONVERSION CHART			
DEC	EIA	DEC	EIA
DEC 2894-1	DEC 2894	SDA-6	2N2060
DEC 2894-3	DEC 2894	2N3009	2N3009
SDA-8	NONE	DEC 2219 B	<del>2N2219</del>
D-664	1N3605		
D-662	1N645		

← 2N2219

DC-Sense Amplifier RS-C-G001

REV. D  
late