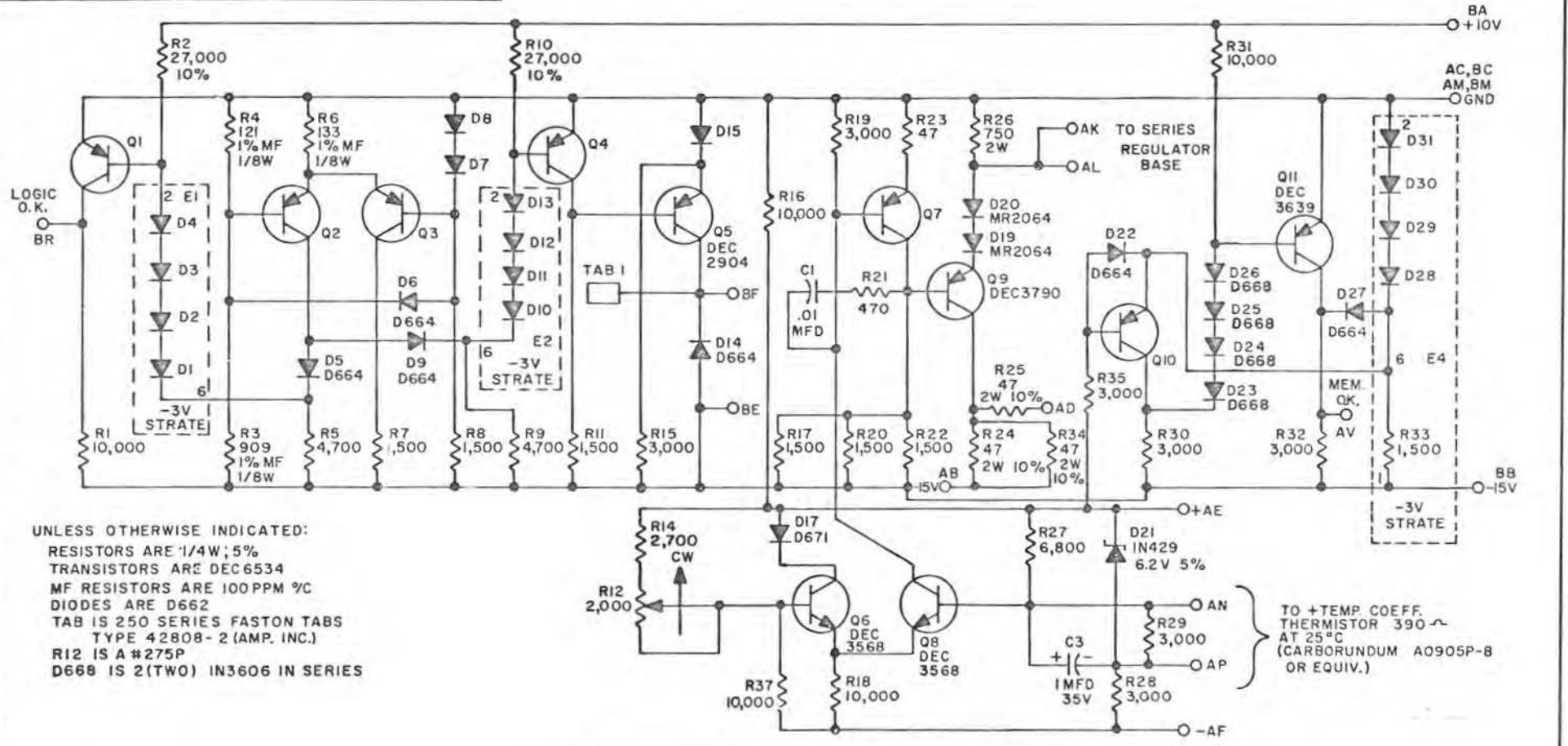


↓

E	G804-0-1	B	CS	SIZE
REV	NUMBER	CODE		

THIS SCHEMATIC IS FURNISHED ONLY FOR TEST AND MAINTENANCE PURPOSES. THE CIRCUITS ARE PROPRIETARY IN NATURE AND SHOULD BE TREATED ACCORDINGLY. COPYRIGHT 1966 BY DIGITAL EQUIPMENT CORPORATION



UNLESS OTHERWISE INDICATED:
 RESISTORS ARE 1/4W; 5%
 TRANSISTORS ARE DEC6534
 MF RESISTORS ARE 100PPM %C
 DIODES ARE D662
 TAB IS 250 SERIES FASTON TABS
 TYPE 42808-2 (AMP. INC.)
 R12 IS A #275P
 D668 IS 2(TWO) IN3606 IN SERIES

TO +TEMP. COEFF. THERMISTOR 390 ~ AT 25°C (CARBORUNDUM A0905P-8 OR EQUIV.)

REVISIONS ENG. NO. 5737 C 5882 D E	DRN	DATE	TRANSISTOR & DIODE CONVERSION CHART				 EQUIPMENT CORPORATION <small>MAYNARD, MASSACHUSETTS 01901</small>	TITLE CONTROL FOR G805 G804			
	CHK'D	DATE	DEC	LIA	DEC	FIA		SIZE	CODE	NUMBER	REV
	ENG	DATE	DEC 2904	2N1132	D662	IN645		B	CS	G804-0-1	E
	PROD	DATE	DEC 3568	2N3568	D664	IN3606					
			DEC 3639	2N3639	D671	IN3653					
			DEC 3790	2N3790	IN429	SAME					
			DEC 6534	MPS6534	MR2064	SAME					
PRINTED CIRCUIT REV D											