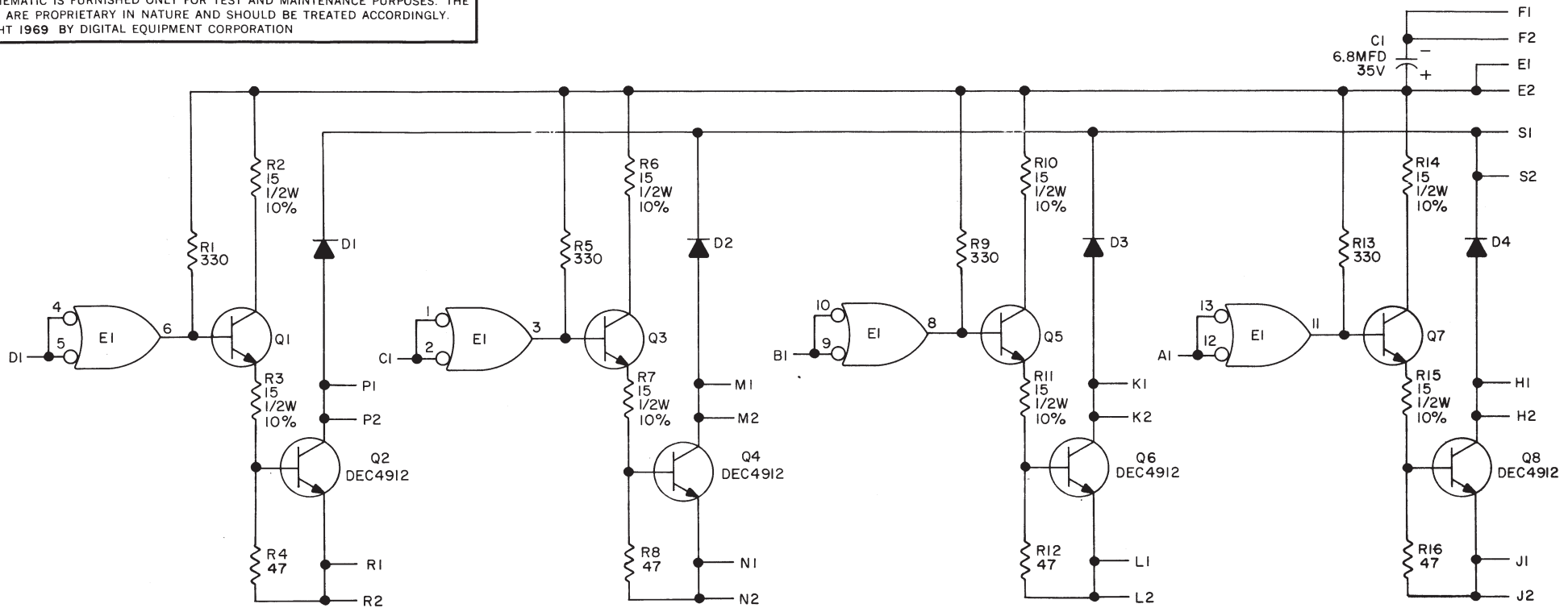
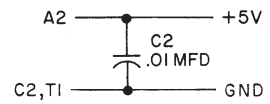


THIS SCHEMATIC IS FURNISHED ONLY FOR TEST AND MAINTENANCE PURPOSES. THE CIRCUITS ARE PROPRIETARY IN NATURE AND SHOULD BE TREATED ACCORDINGLY. COPYRIGHT 1969 BY DIGITAL EQUIPMENT CORPORATION



UNLESS OTHERWISE INDICATED:
 RESISTORS ARE 1/4W, 5%
 DIODES ARE MR2066
 TRANSISTORS ARE DEC2219
 PIN 7 ON EACH IC = GND
 PIN 14 ON EACH IC = +5V
 E1 IS DEC7400N



REVISIONS CHK CHG NO. REV	DRN. BUTLER	DATE 9/12/69	TRANSISTOR & DIODE CONVERSION CHART				digital EQUIPMENT CORPORATION MAYNARD, MASSACHUSETTS	TITLE SOLENOID DRIVER M060			
	CHK'D	DATE 9/15/69	DEC	EIA	DEC	EIA		SIZE B	CODE CS	NUMBER M060-0-1	RVF.
	ENG. <i>D. No. pt. mg</i>	DATE 11/10/69	DEC2219	SAME							
	PROD.	DATE	DEC4912	NONE				PRINTED CIRCUIT REV. A			