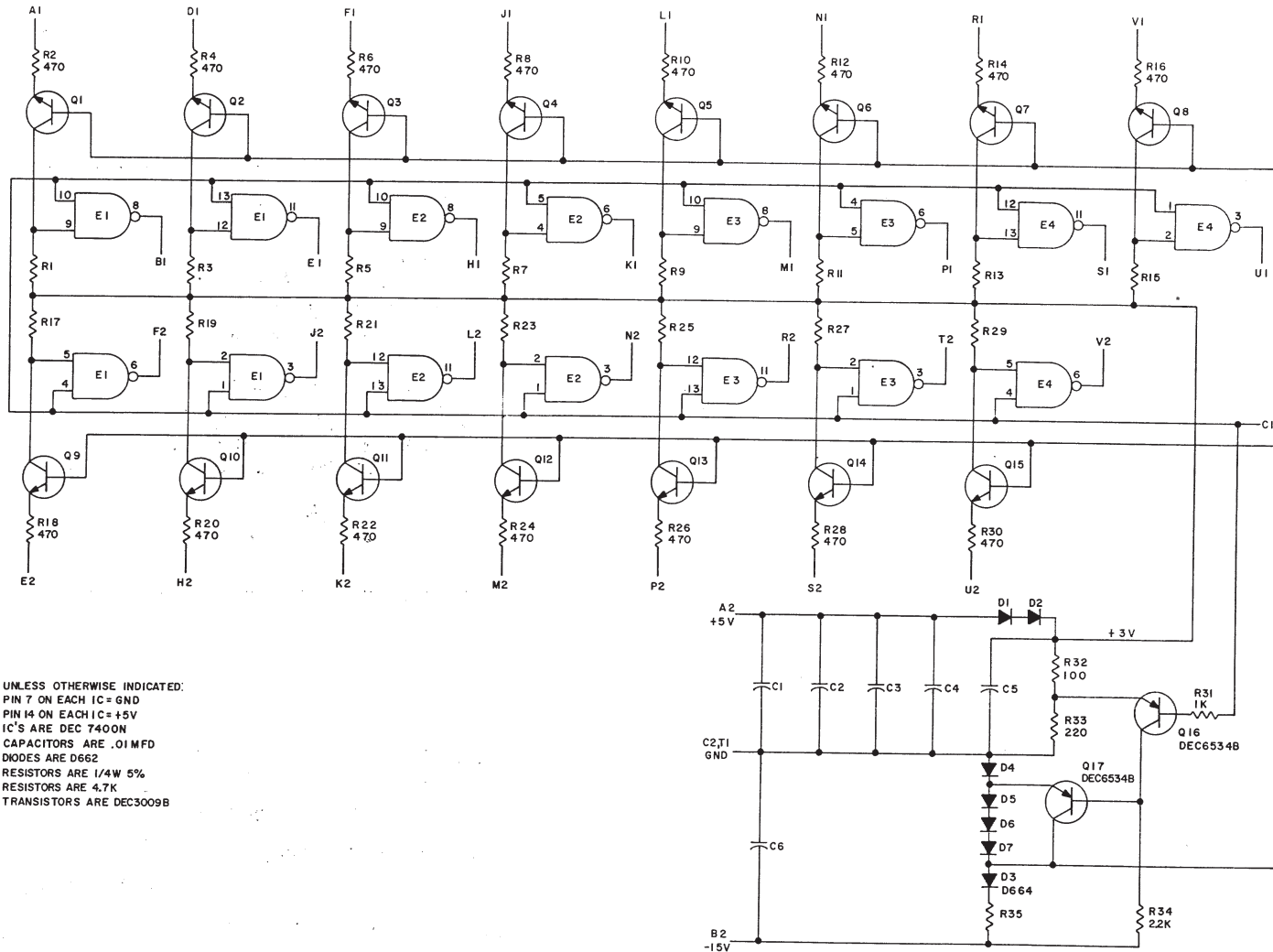


THIS SCHEMATIC IS FURNISHED ONLY FOR TEST AND MAINTENANCE PURPOSES. THE CIRCUITS ARE PROPRIETARY IN NATURE AND SHOULD BE TREATED ACCORDINGLY. COPYRIGHT 1969 BY DIGITAL EQUIPMENT CORPORATION



UNLESS OTHERWISE INDICATED:
 PIN 7 ON EACH IC = GND
 PIN 14 ON EACH IC = +5V
 IC'S ARE DEC 7400N
 CAPACITORS ARE .01 MFD
 DIODES ARE D662
 RESISTORS ARE 1/4W 5%
 RESISTORS ARE 4.7K
 TRANSISTORS ARE DEC3009B

REV	DATE	BY	CHKD
1	12/24/69	M. Moore	
2	1/2/70		

DEC FORM NO. DRC 102

DRN	DATE
M. Moore	12/24/69
	1/2/70

TRANSISTOR & DIODE CONVERSION CHART			
DEC		EIA	
D662	IN645		
D664	IN3606		
DEC3009B	2N3009		
DEC6534B	MP36534		

digital
 EQUIPMENT CORPORATION
 MAYNARD, MASSACHUSETTS

TITLE BUS DATA INTERFACE
 M100
 NUMBER M100-0-1
 PRINTED CIRCUIT REV. A

REV B
 NUMBER M100-0-1
 SIZE CODE C CS

DIST 324 917 435 5 P1111