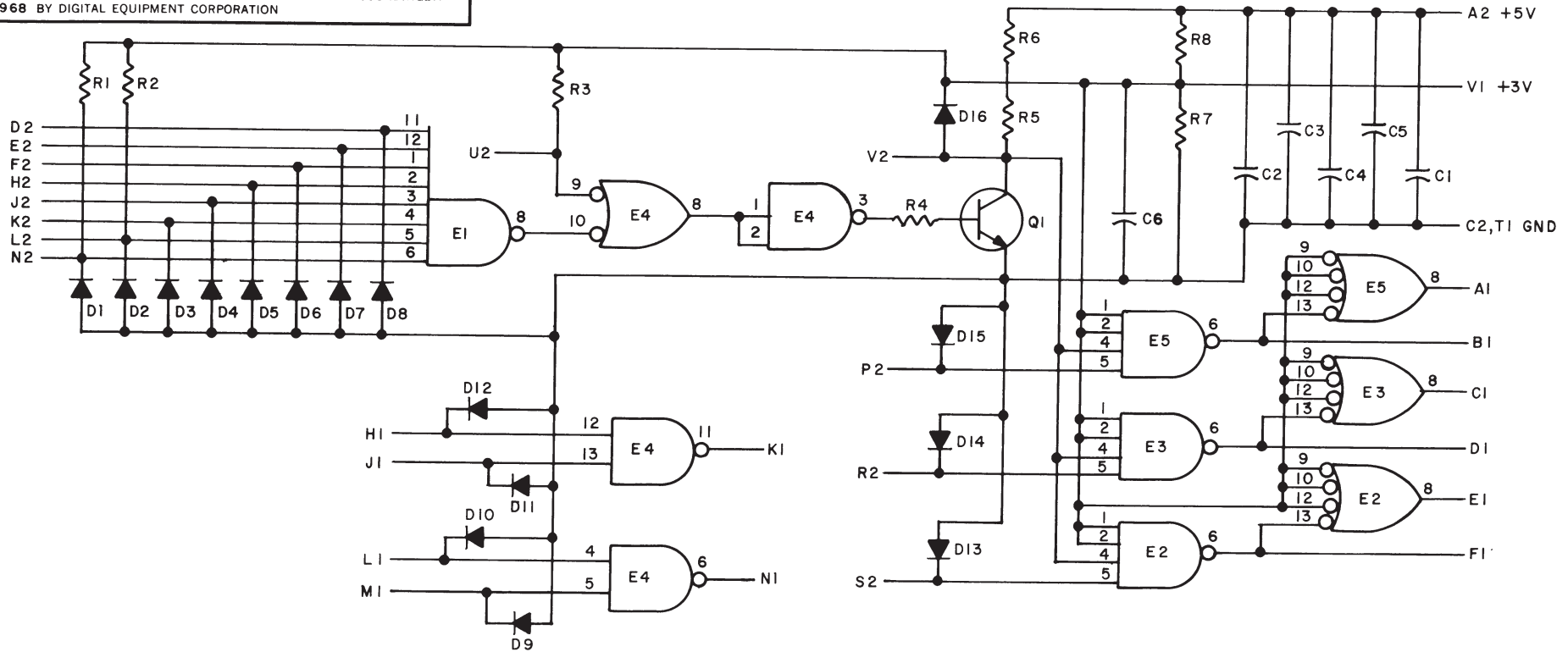


REV. C
 NUMBER M103-0-1
 SIZE CODE B CS

THIS SCHEMATIC IS FURNISHED ONLY FOR TEST AND MAINTENANCE PURPOSES. THE CIRCUITS ARE PROPRIETARY IN NATURE AND SHOULD BE TREATED ACCORDINGLY. COPYRIGHT 1968 BY DIGITAL EQUIPMENT CORPORATION



M103-2

Q1	TRANSISTOR DEC3009B-S	1503100
E4	INTEGRATED CKT. DEC7400N	1905575
E2, E3, E5	INTEGRATED CKT. DEC74H40N	1905586
E1	INTEGRATED CKT. DEC7430N	1905578
R8	RES. 330 1/4W 5% CC	1300295
R4-R7	RES. 750 1/4W 5% CC	1301401
R1, R2, R3	RES. 8.2K 1/4W 5% CC	1303179
D1-D16	DIODE D664	1100114
C1-C6	CAP. .01MFD 100V 20% DISC	1001610
	PARTS LIST	A-PL-M103-0-0
REFERENCE DESIGNATION	DESCRIPTION	PART NO.

 < A B C D E F G H I J K L M N O P Q R S T U V W X Y Z 0 1 2 3 4 5 6 7 8 9 - + = * / >

REVISIONS	CHK	CHG NO.	REV.
		0001	A
		0002	C

DRN. <i>M. Keller</i>	DATE 10-4-68
CHK'D <i>G. Young</i>	DATE 3-12-69
ENG. <i>R. Laughlin</i>	DATE 11-27-68
PROD.	DATE

TRANSISTOR & DIODE CONVERSION CHART			
DEC		EIA	
DEC3009B		2N3009	
D664		1N3606	

digital
 EQUIPMENT CORPORATION
 MAYNARD, MASSACHUSETTS

TITLE			
DEVICE SELECTOR M103			
SIZE B	CODE CS	NUMBER M103-0-1	REV. C
PRINTED CIRCUIT REV.			B