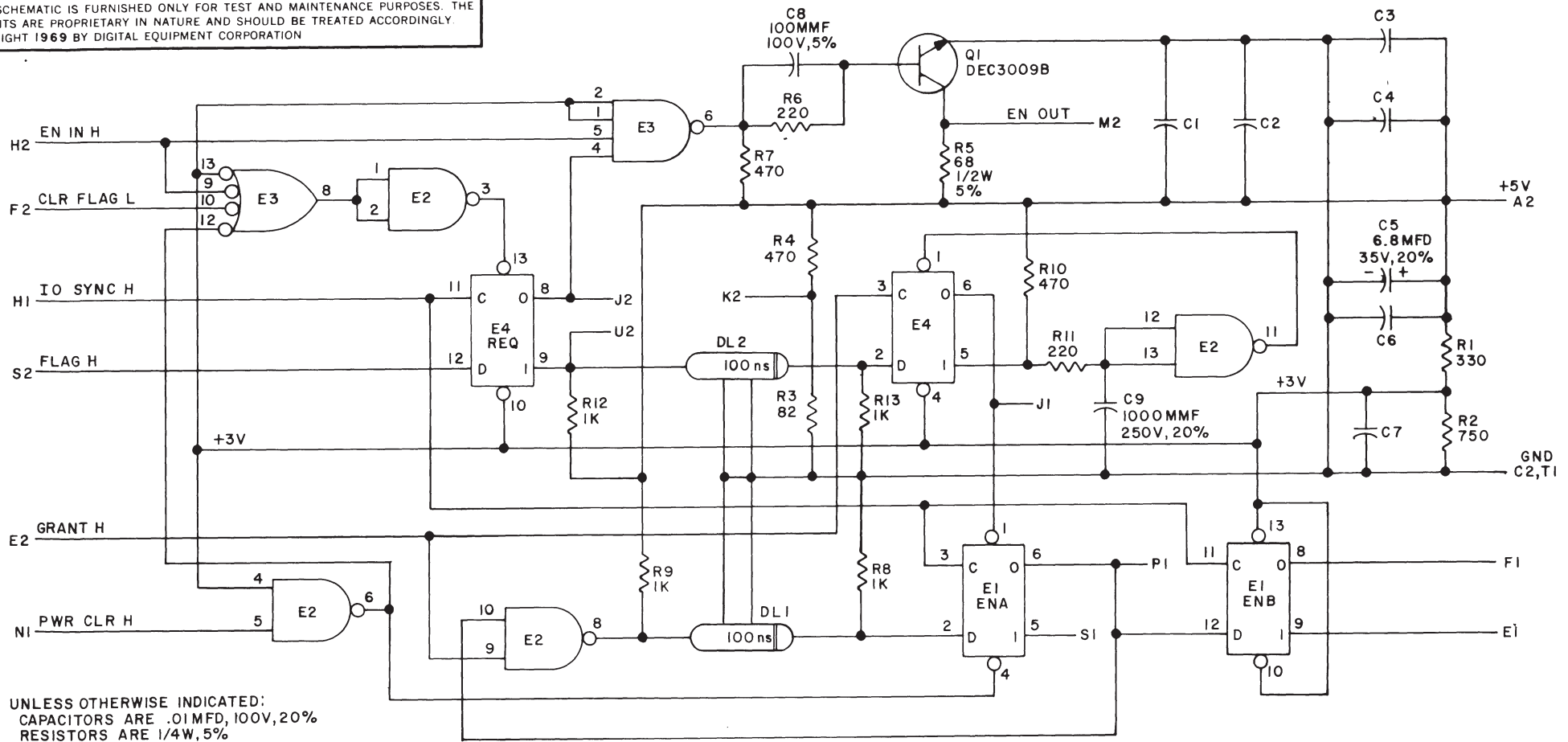


THIS SCHEMATIC IS FURNISHED ONLY FOR TEST AND MAINTENANCE PURPOSES. THE CIRCUITS ARE PROPRIETARY IN NATURE AND SHOULD BE TREATED ACCORDINGLY. COPYRIGHT 1969 BY DIGITAL EQUIPMENT CORPORATION



UNLESS OTHERWISE INDICATED:
 CAPACITORS ARE .01 MFD, 100V, 20%
 RESISTORS ARE 1/4W, 5%
 E1, E4 ARE DEC7474
 E2 IS DEC7400
 E3 IS DEC74H40
 PIN 7 ON EACH IC = GND
 PIN 14 ON EACH IC = +5V

M104-4

REV.	CHG NO.	REV.
B	00002	REDR.
C	00003	
D	00004	
E	00005	

DRN. R. GUTIERREZ	DATE 3-13-69
CHK'D A. YAUGA	DATE 3-17-69
ENG. J. GODBOUT	DATE 4-7-69
PROD.	DATE

TRANSISTOR & DIODE CONVERSION CHART			
DEC	EIA	DEC	EIA
DEC3009B	2N3009		

digital
 EQUIPMENT CORPORATION
 MAYNARD, MASSACHUSETTS

TITLE I/O BUS MULTIPLEXER M104			
SIZE B	CODE CS	NUMBER M104-0-1	REV. E
PRINTED CIRCUIT REV. D			

£ PINK DIST. 10435