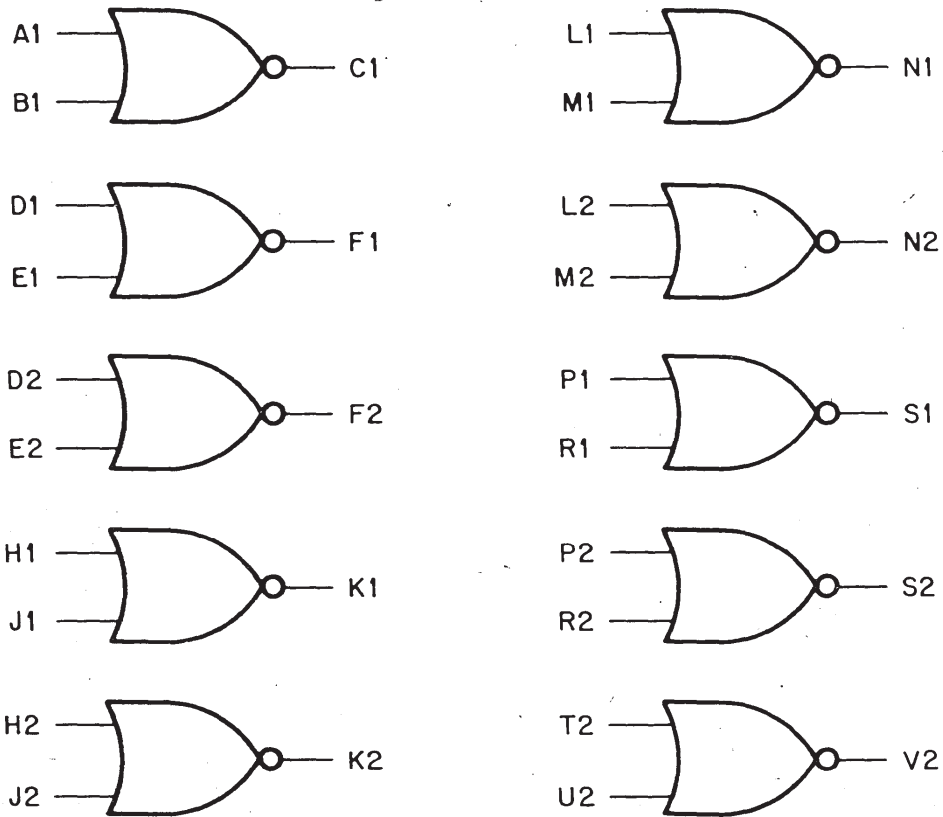


# NOR GATE M112

## M SERIES



**POWER**

← A2 → +5V

← C2, T1 → GRD

+3V ← U1, V1 → UNUSED INPUTS

The M112 contains ten positive NOR gates, each performing the function  $A + B$ . Pins U1 and V1 provide +3 volts, each capable of holding High (Logic 1) up to 40 unused M-Series inputs.

**Input:** Each input presents one unit load.

**Output:** Each output can drive up to ten unit loads.

**Power:** +5V at 50 ma. (max.)

---

M112—\$37

---