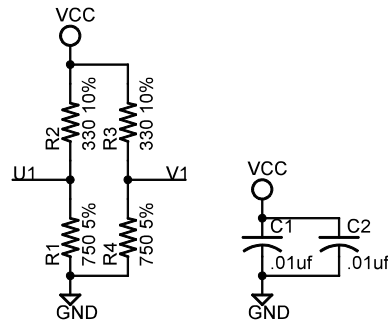


OUTLINE-SINGLE



10 2-Input NAND Gates M113	
TITLE: M113B	
Document Number: B-CS-M113-0-1	REV:
Date: 2/27/2013 05:50:02p	Sheet: 1/1