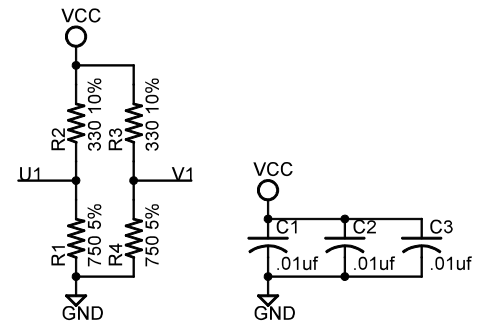


OUTLINE-SINGLE



|                                   |            |
|-----------------------------------|------------|
| 6 4 INPUT NOR GATES M116          |            |
| TITLE: M116X                      |            |
| Document Number:<br>B-CS-M116-0-1 | REV:       |
| Date: 2/27/2013 08:44:12p         | Sheet: 1/1 |