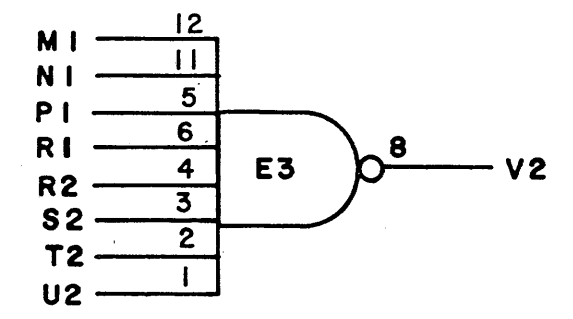
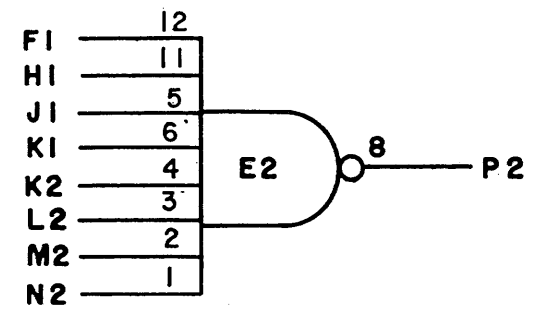
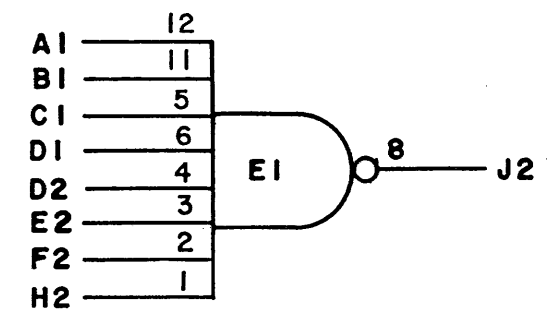
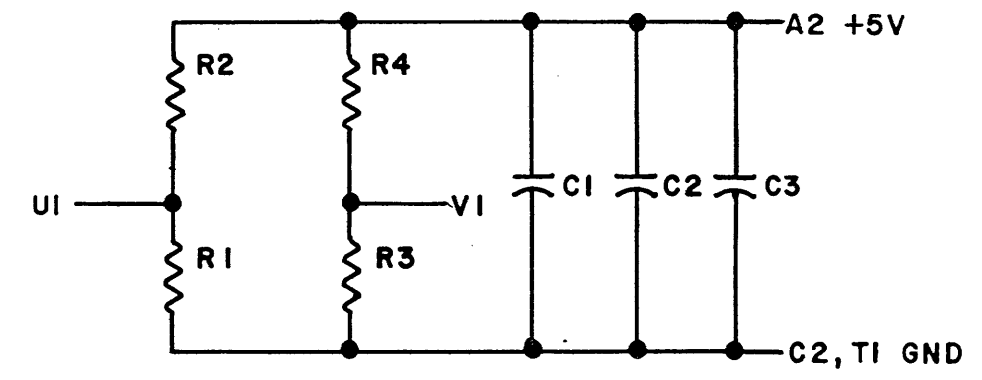


THIS SCHEMATIC IS FURNISHED ONLY FOR TEST AND MAINTENANCE PURPOSES. THE CIRCUITS ARE PROPRIETARY IN NATURE AND SHOULD BE TREATED ACCORDINGLY. COPYRIGHT 1967 BY DIGITAL EQUIPMENT CORPORATION



NOTES:
PIN 7 ON EACH IC = GND
PIN 14 ON EACH IC = +5V



E1 THRU E3	INTEGRATED CKT. DEC7430N	1905578
R2 & R4	RES. 330 1/4W 10% CC	1300293
R1 & R3	RES. 750 1/4W 5% CC	1301401
C1 THRU C3	CAP. .01MFD 100V 20% DISC	1001610
	PARTS LIST	A-PL-M119-0-0
REFERENCE DESIGNATION	DESCRIPTION	PART NO.

REVISIONS CHK CHG NO. REV. 6804 A MM 00001 B	DRN. <i>M. Waller</i>	DATE 8-1-67	TRANSISTOR & DIODE CONVERSION CHART				digital EQUIPMENT CORPORATION MAYNARD, MASSACHUSETTS	TITLE 3-8 INPUT NAND-GATES M119			
	CHK'D <i>R. Suberman</i>	DATE 8/14/67	DEC	EIA	DEC	EIA		SIZE B	CODE CS	NUMBER M119-0-1	REV. B
	ENG. <i>Alan Rebert</i>	DATE 8/11/67						PRINTED CIRCUIT REV. C			
	PROD.	DATE									