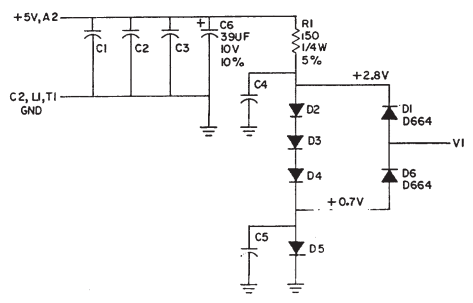
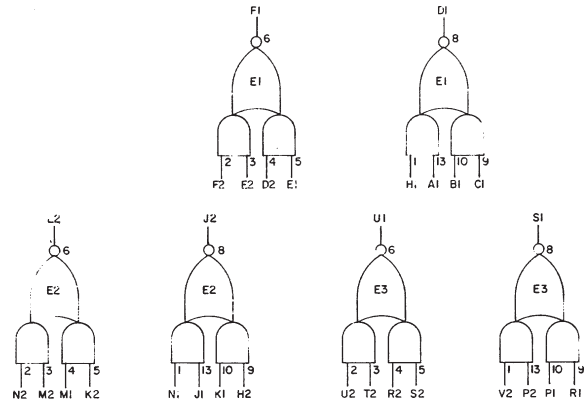
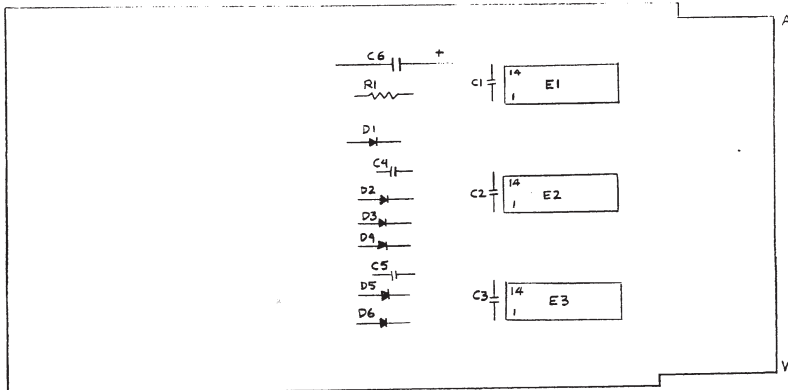


THIS SCHEMATIC IS FURNISHED ONLY FOR TEST AND MAINTENANCE PURPOSES. THE CIRCUITS ARE PROPRIETARY IN NATURE AND SHOULD BE TREATED ACCORDINGLY. COPYRIGHT 1970, BY DIGITAL EQUIPMENT CORPORATION.



UNLESS OTHERWISE INDICATED:  
 CAPACITORS = .01UF, 100V, 20%  
 DIODES = D662  
 IC'S = DEC1074H50  
 PIN 7 = GND ON ALL IC'S  
 PIN 14 = +5V

12	9008337-06	HANDLE, FLIP CHIP - MAGENTA	1
11	9006732	EYELET #GS 4-7	2
10	190082	I.C. DEC 1074H50	3
9	1300250	RES. 150, 1/4W, 5%	2
8	1100114	DIODE D664	1
7	1100113	DIODE D662	4
6	1001610	CAP. .01UF, 100V, 20% DISC	5
5	1000076	CAP. 39UF, 10V, 10% S. TANT	1
4	5009295	ETCHED CIRCUIT BOARD	1
3	B-MH-M126-0-6	MODULE ECO HISTORY	
2	C-AH-M126-0-5	ASSY/DRILING HOLE LAYOUT	
1	K-CC-M126-0-4	X-Y COORDINATE HOLE LOCATION	
ITEM NO.	DEC PART NO.	DESCRIPTION	QTY
		PARTS LIST	

REVISIONS 1 2 3 4 5 6 7 8 9 10 11 12 13 14 15 16 17 18 19 20 21 22 23 24 25 26 27 28 29 30 31 32 33 34 35 36 37 38 39 40 41 42 43 44 45 46 47 48 49 50 51 52 53 54 55 56 57 58 59 60 61 62 63 64 65 66 67 68 69 70 71 72 73 74 75 76 77 78 79 80 81 82 83 84 85 86 87 88 89 90 91 92 93 94 95 96 97 98 99 100	DRN: M126-0-1 DATE: 12/8/70 CHKD: [Signature] DATE: 12/10/70 ENG: [Signature] DATE: [Signature] PRD: [Signature] DATE: [Signature]	TRANSISTOR & DIODE CONVERSION CHART <table border="1"> <tr> <td>DEC</td> <td>EIA</td> <td>DEC</td> <td>EIA</td> </tr> <tr> <td>D662</td> <td>IN645</td> <td>D664</td> <td>IN3606</td> </tr> </table>	DEC	EIA	DEC	EIA	D662	IN645	D664	IN3606	<b>digital</b> EQUIPMENT CORPORATION MAYNARD, MASSACHUSETTS	TITLE: SIX 2-2 AND-NOR GATES M126 SIZE: C CODE: CS NUMBER: M126-0-1 REV: B
	DEC	EIA	DEC	EIA								
D662	IN645	D664	IN3606									
PRINTED CIRCUIT REV: B		NUMBER: M126-0-1										