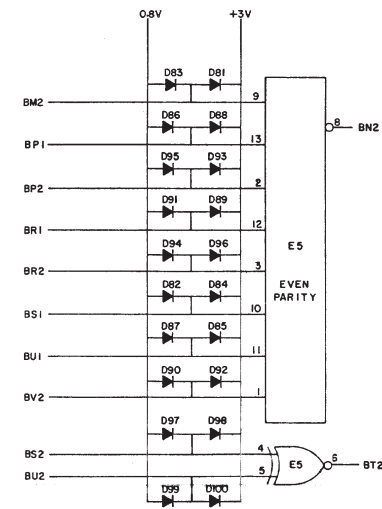
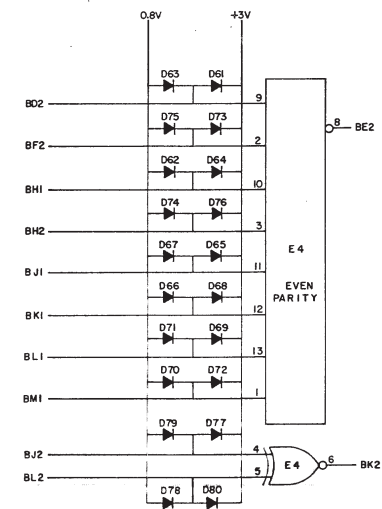
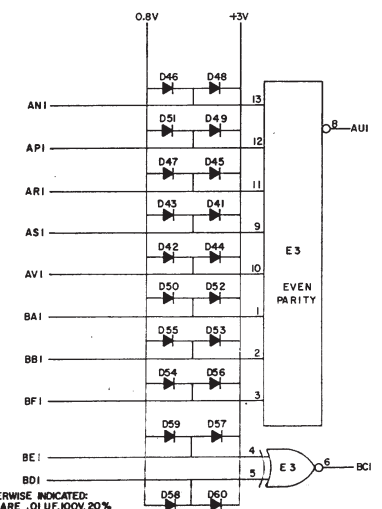
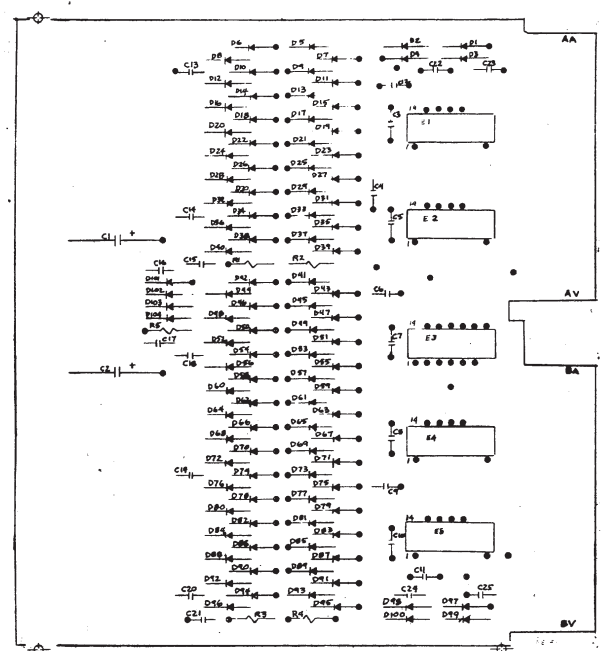
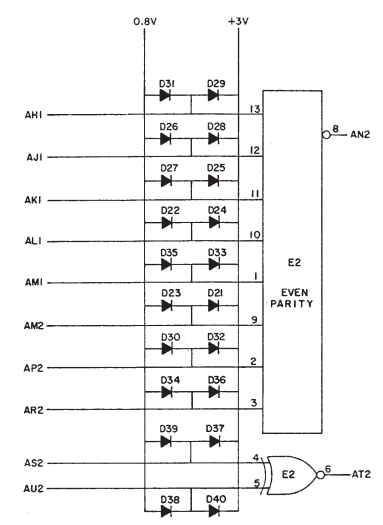
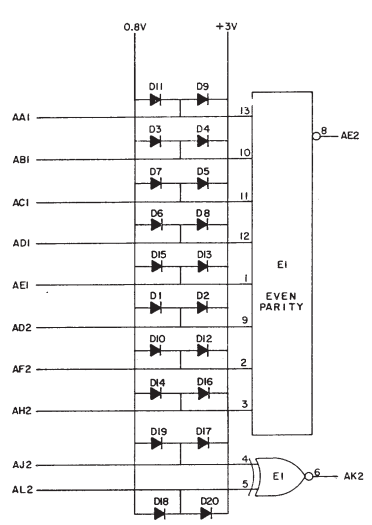
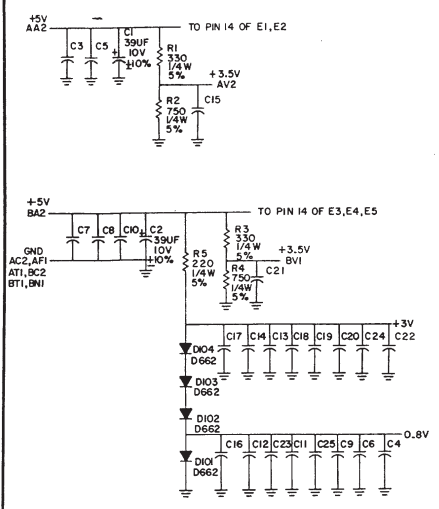


THIS SCHEMATIC IS FURNISHED ONLY FOR TEST AND MAINTENANCE PURPOSES. THE CIRCUITS ARE PROPRIETARY IN NATURE AND SHOULD BE TREATED ACCORDINGLY. COPYRIGHT © BY DIGITAL EQUIPMENT CORPORATION.



UNLESS OTHERWISE INDICATED:
 CAPACITORS ARE .01UF, 100V, 20%
 DIODES ARE D664
 IC'S ARE DEC 4008P
 PIN 7 GND
 PIN 14 +5V ON ALL IC'S

ITEM NO.	QTY	DESCRIPTION
14	2	9008337-06 HANDLE, FLIP CHIP - MAGENTA
13	4	9006732 EYALLET #GS 4-7
12	5	1910270 I.C. DEC4008P
11	2	1301401 RES. 750, 4W, 5%
10	2	1300295 RES. 330, 1/4W, 5%
9	1	1300271 RES. 220, 1/4W, 5%
8	100	11-0114 DIODE D664
7	4	1100113 DIODE D662
6	23	1001610 CAP. .01UF, 100V, 20%
5	2	1000076 CAP. .39UF, 10V, 10% S. TAHT
4	1	5009373 ETCHED CIRCUIT BOARD
3		B-MH-1130-0-6 MODULE BCO HISTORY
2		D-AH-1130-0-5 ASSY/DRILLING HOLE LAYOUT
1		B-CO-1130-0-4 X-Y COORDINATE HOLE LOCATION

REVISIONS: []

DATE: 12/16/76
 DRAWN: []
 CHECKED: []
 APPROVED: []

TRANSISTOR & DIODE CONVERSION CHART

DATE	BY	DESCRIPTION
12/16/76	[]	D664 IN 3805
12/16/76	[]	D662 IN 3805

digital EQUIPMENT CORPORATION
 PARITY CHECKERS AND GATES M130-0-1
 PRINTED CIRCUIT REV. []

M130-0-1