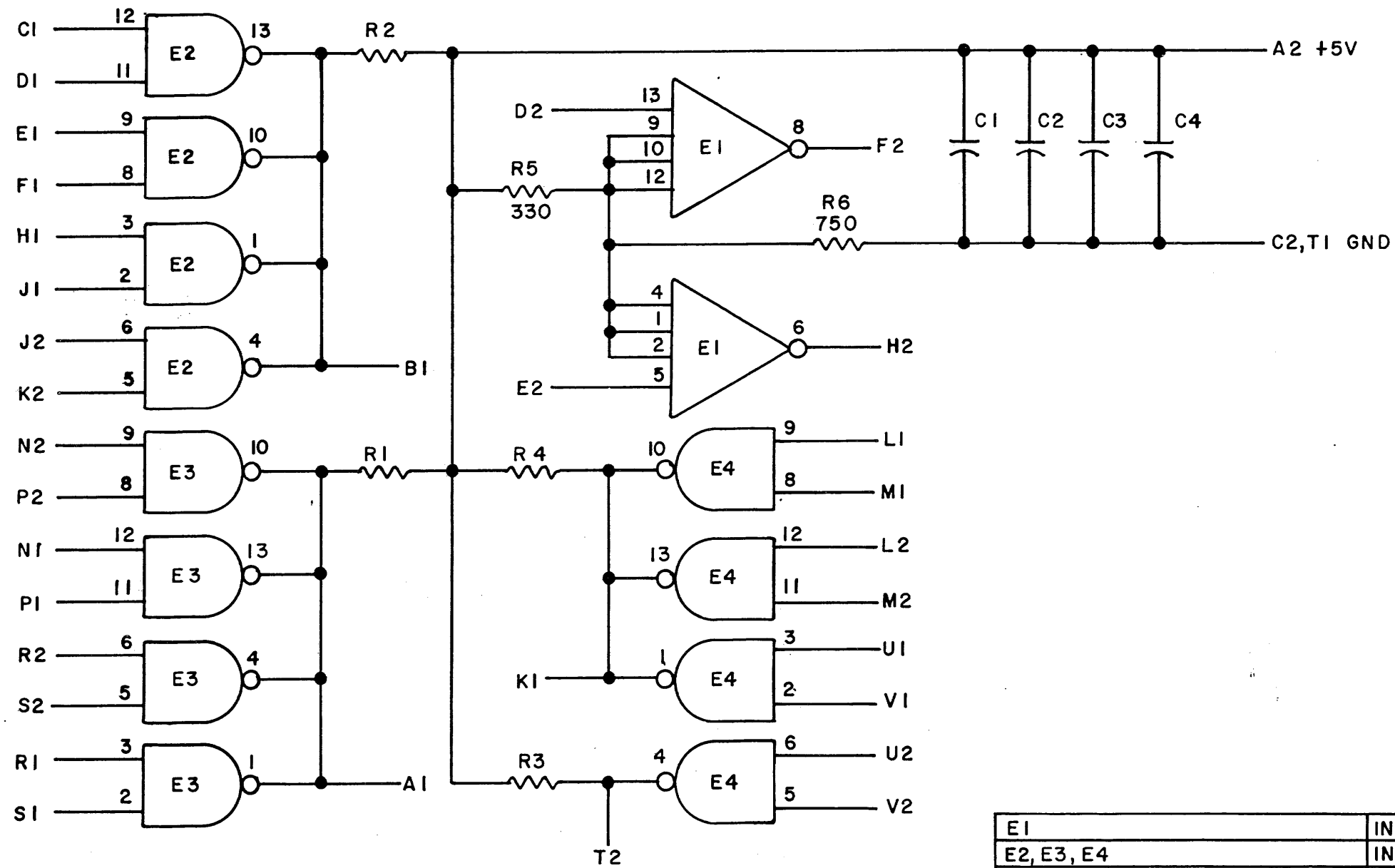


THIS SCHEMATIC IS FURNISHED ONLY FOR TEST AND MAINTENANCE PURPOSES. THE CIRCUITS ARE PROPRIETARY IN NATURE AND SHOULD BE TREATED ACCORDINGLY. COPYRIGHT 1967 BY DIGITAL EQUIPMENT CORPORATION



NOTE:
PIN 7 ON EACH IC = GND
PIN 14 ON EACH IC = +5V

| | | |
|-----------------------|---------------------------|---------------|
| E1 | INTEGRATED CKT. DEC7420N | 1905577 |
| E2, E3, E4 | INTEGRATED CKT. DEC7401N | 1905590 |
| R6 | RES. 750 1/4W 5% CC | 1301401 |
| R5 | RES. 330 1/4W 10% CC | 1300293 |
| R1 THRU R4 | RES. 1.5K 1/4W 5% CC | 1300391 |
| C1 THRU C4 | CAP. .01MFD 100V 20% DISC | 1001610 |
| | PARTS LIST | A-PL-M141-0-0 |
| REFERENCE DESIGNATION | DESCRIPTION | PART NO. |

PARTS LIST

| | | | |
|-----------|------------------|------------|---------|
| REVISIONS | CHK CHG NO. REV. | REV 6803 A | 00001 B |
|-----------|------------------|------------|---------|

| | |
|--------------------|---------------|
| DRN. M. HALLER | DATE 10-6-67 |
| CHK'D R. SILVERMAN | DATE 10-13-67 |
| ENG. L. WHITE | DATE 10-13-67 |
| PROD. | DATE |

| TRANSISTOR & DIODE CONVERSION CHART | | | |
|-------------------------------------|-----|-----|-----|
| DEC | EIA | DEC | EIA |
| | | | |
| | | | |
| | | | |

digital
EQUIPMENT CORPORATION
MAYNARD, MASSACHUSETTS

| | | | |
|-----------------------------|------------|--------------------|-----------|
| TITLE AND/NOR GATES M141 | | | |
| SIZE B | CODE CS | NUMBER M141-0-1 | REV. B |
| PRINTED CIRCUIT REV. C | | | |