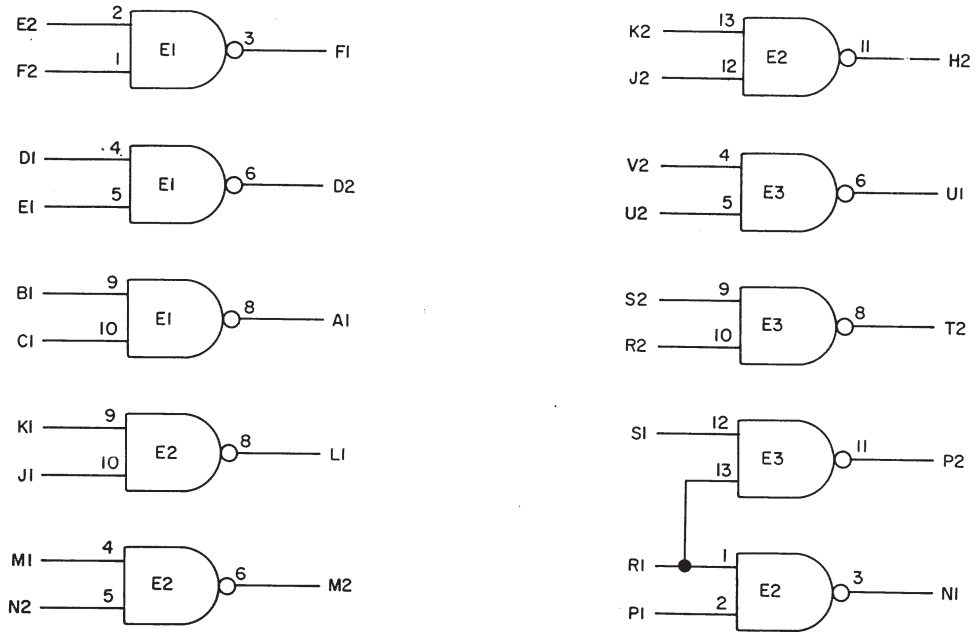
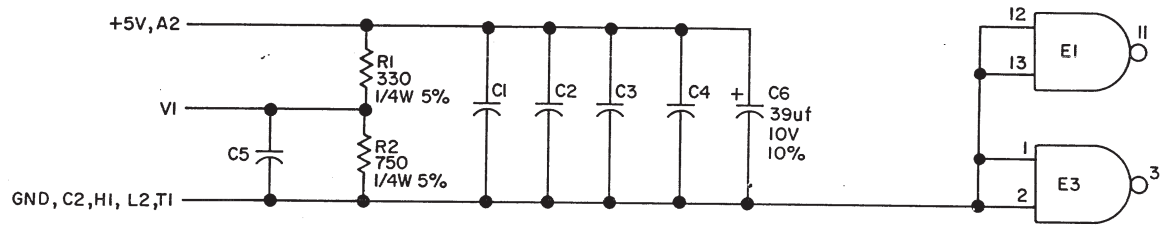


THIS SCHEMATIC IS FURNISHED ONLY FOR TEST AND MAINTENANCE PURPOSES. THE CIRCUITS ARE PROPRIETARY IN NATURE AND SHOULD BE TREATED ACCORDINGLY. COPYRIGHT 1970 BY DIGITAL EQUIPMENT CORPORATION

REV. A  
 NUMBER M143-0-1  
 SIZE CODE B CS



UNLESS OTHERWISE INDICATED:  
 IC'S ARE DEC1074H00  
 PIN 14 = +5V  
 PIN 7 = GND ON ALL IC'S  
 CAPACITORS ARE .01uf, 100V, 20%



REVISIONS CHK/CHG NO. REV. 1/000001 A	DRN. BUTLER	DATE 4-2-70	TRANSISTOR & DIODE CONVERSION CHART				<b>digital</b> EQUIPMENT CORPORATION MAYNARD, MASSACHUSETTS	TITLE NAND GATE M143			
	CHKD. <i>[Signature]</i>	DATE 4/13/70	DEC	EIA	DEC	EIA		SIZE B	CODE CS	NUMBER M143-0-1	REV. A
	ENG. <i>[Signature]</i>	DATE 4/15/70									
	PRD. <i>[Signature]</i>	DATE 6/3/70									
PRINTED CIRCUIT REV. A							DIST 324,434,4... 5 PINK-				