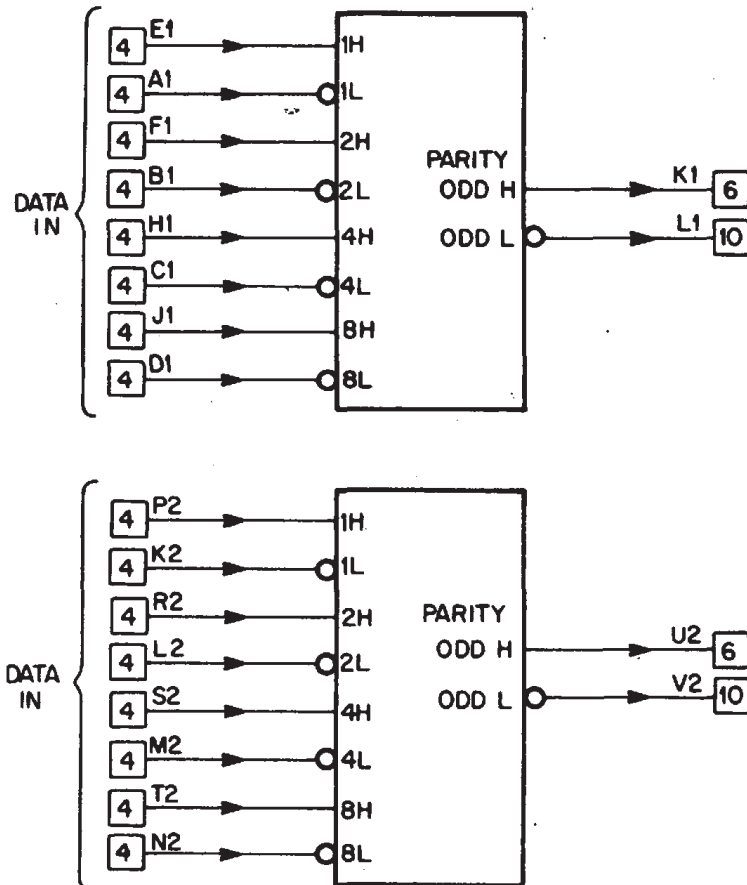


M162 PARITY CIRCUIT

NUMERIC

M SERIES

Length: Standard
Height: Single
Width: Single



Volts	Power	Pins
+5	mA (max.)	A2
GND	102	C2, T1

The M162 contains two parity detector circuits. Each circuit indicates whether the binary data presented to it contains an ODD or EVEN number of ONES. The data and its complement are required as shown.

APPLICATIONS

- Parity checking

FUNCTIONS

Indication of ODD PARITY is given by a HIGH level at pins K1 and U2 respectively. Pins L1 and V2, when HIGH, indicate EVEN PARITY or no input.