

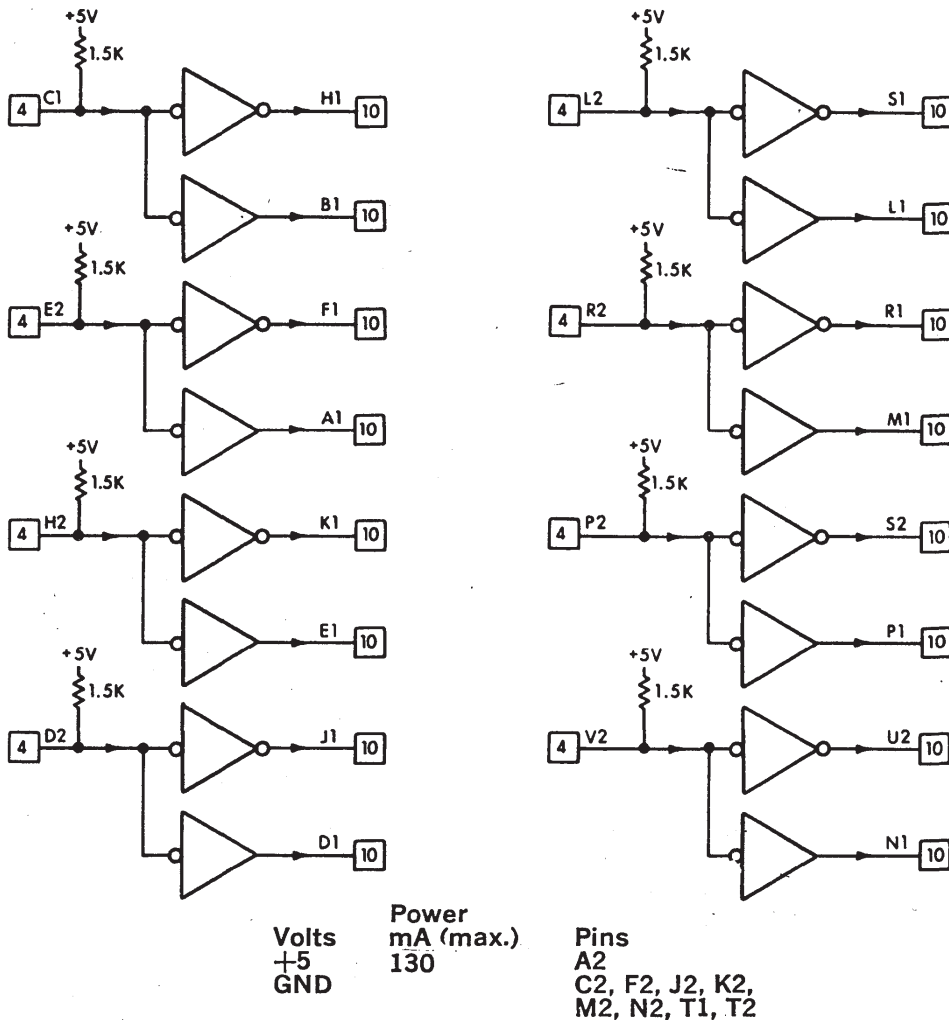
M165 8 BUFFERS

FLIP-FLOPS

M SERIES

Length: Standard
Height: Single
Width: Single

Price
\$30



The M165 module is designed for use with circuits having open-collector output stages. The module provides a pull-up resistor for the open-collector stage and buffers the output through an inverting gate and a noninverting gate.

There are eight similar circuits on the M165 module. The value of the pull-up resistor on each input allows open-collector outputs which can sink at least 10 mA, and have a total leakage not exceeding 1.3 mA, to drive the M165 module, plus one other high-speed TTL load.

SPECIFICATIONS

Propagation Delay

From:
Input
Input

To:
Inverting Output, HIGH or LOW = 10 ns (max)
Noninverting Output, HIGH or LOW = 15 ns (max)