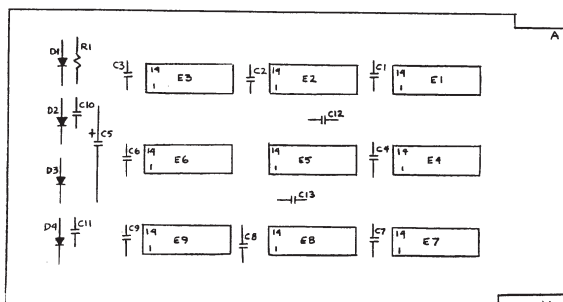
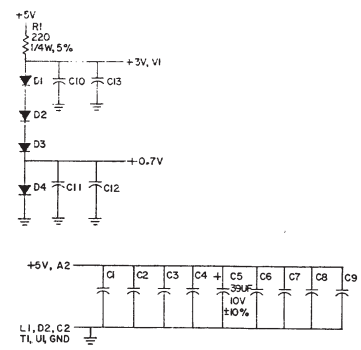
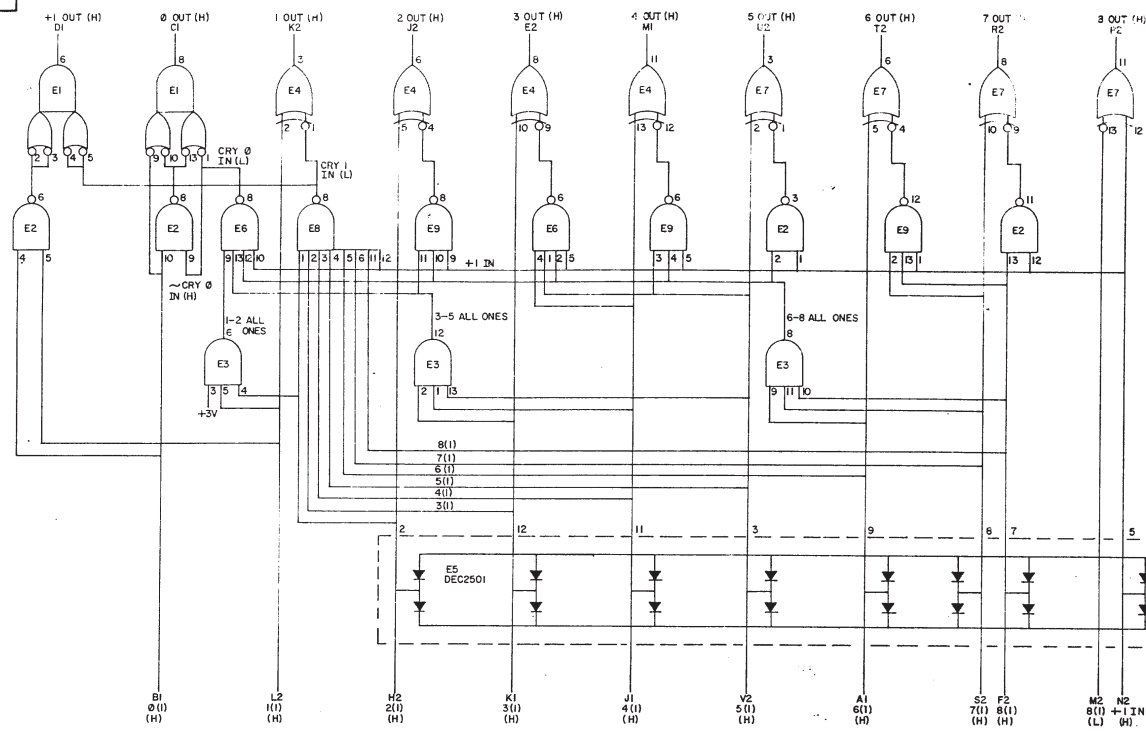


THIS SCHEMATIC IS FURNISHED ONLY FOR TEST AND MAINTENANCE PURPOSES. THE CIRCUITS ARE PROPRIETARY IN NATURE AND SHOULD BE TREATED ACCORDINGLY. COPYRIGHT 1970 BY DIGITAL EQUIPMENT CORPORATION.



UNLESS OTHERWISE INDICATED:  
CAPACITORS - .01UF, 100V, 20%  
DIODES - D662  
E1 - DEC1074H50  
E2 - DEC1074H00  
E3 - DEC1074H11  
E4, E7 - DEC3022  
E5 - DEC2501  
E6 - DEC1074H20  
E8 - DEC1074H30  
E9 - DEC1074H10  
PIN 7 GND ON E1-E4, E5-E9  
PIN 14 ++5V

QTY	PART NO.	DESCRIPTION	REV.
16	9008337-06	HANDLE, FLIP CHIP - MAGENTA	1
17	9006732	EYELET #GS 4-7	2
16	1910269	I.C. DEC 3022P	2
15	1910011	I.C. DEC 2501	1
14	1910468	I.C. DEC1074H1	1
11	1910512	I.C. DEC104H50	1
12	1910468	I.C. DEC1074H30	1
11	1910464	I.C. DEC1074H10	1
10	1910462	I.C. DEC1074H00	1
9	1910466	I.C. DEC1074H20	1
7	1300271	RES. 220, 1/4W, 5%	1
7	1100133	DIODE D662	4
6	1001610	CAP. .01UF, 100V, 20% DISC	12
5	1000074	CAP. .39UF, 10V, 10%	1
4	5009387	ETCHED CIRCUIT BOARD	1
3	M-M-166-0-1	MODULE BCC HISTORY	
	A-1-166-0-1	ASSY/DRILLING HOLE LAYOUT	
	X-1-166-0-1	X-Y COORDINATE HOLE LOCATION	
		DESCRIPTION	QTY.

REV.	DATE	BY	TRANSISTOR & DIODE CONVERSION CHART		TITLE
			DEC	EM	
1	10/70	M. J. M. / J. J. M.			+1 GATE M166
2					
3					
4					
5					

M166-0-1  
REV. 10/70