

M205 GENERAL-PURPOSE FLIP-FLOPS

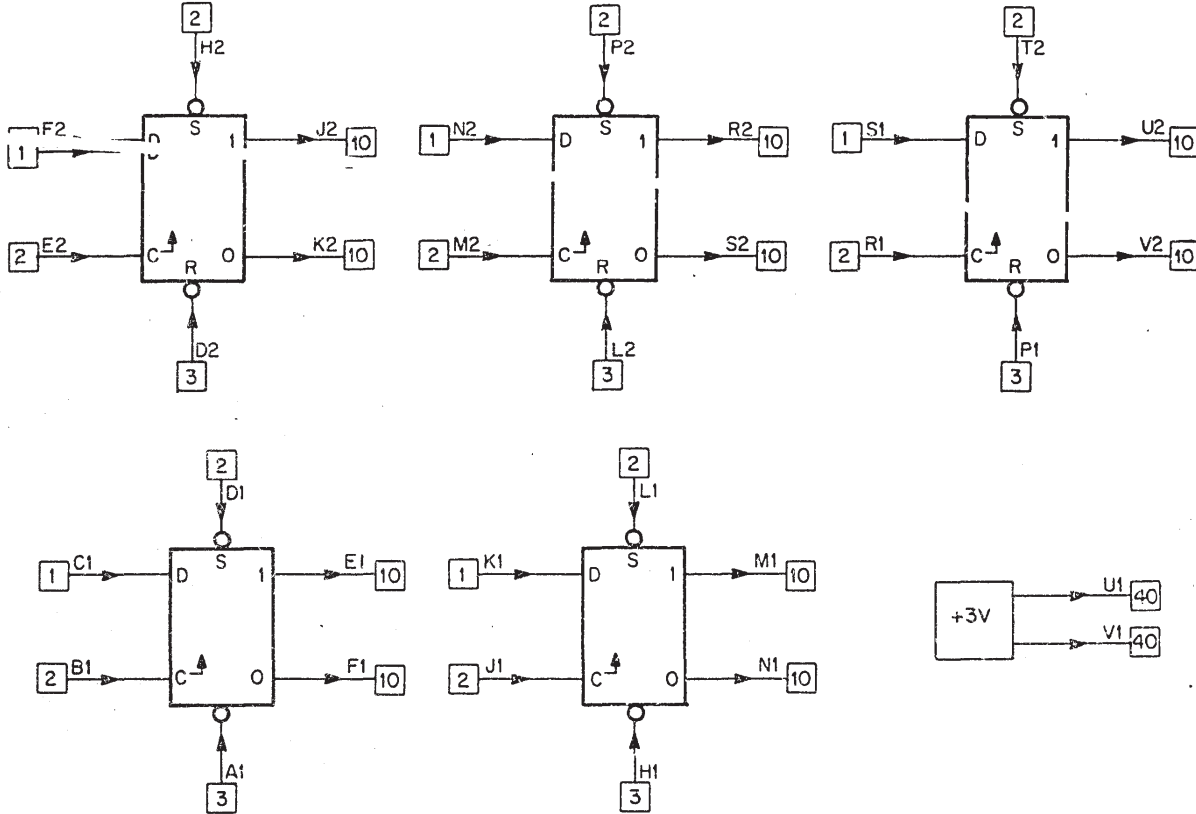
FLIP-FLOPS

M SERIES

Length: Standard
Height: Single
Width: Single

Price:

\$33



Volts	Power mA (max.)	Pins
+5	90	A2
GND		C2, T1

The M205 contains five separate D-Type flip-flops. Each flip-flop has independent gated data, clock, dc set, and dc reset inputs.

APPLICATIONS

- Storage Registers
- Counters and Shift Registers
- Flags and Control Storage

FUNCTIONS

For each flip-flop, information present on the D input is transferred to the output when the threshold is reached on the leading (positive going voltage) edge of the clock pulse.

SPECIFICATIONS

Information must be present on the D input 20 ns (max) prior to a standard clock pulse and should remain at the input at least 5 ns (max) after the clock pulse leading edge has passed the threshold voltage. Data transferred into the flip-flop will be stable at the output within 50 ns, maximum. Typical width requirement for the clock, dc reset and dc set pulses is 30 nsec each.