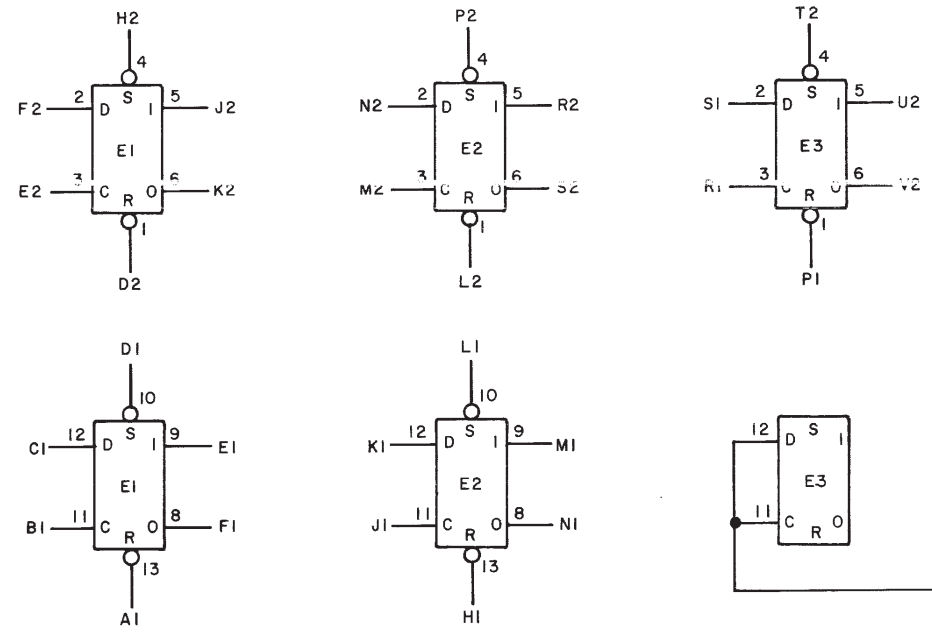


REV B
NUMBER M205-0-1
SIZE CODE B CS

THIS SCHEMATIC IS FURNISHED ONLY FOR TEST AND MAINTENANCE PURPOSES. THE CIRCUITS ARE PROPRIETARY IN NATURE AND SHOULD BE TREATED ACCORDINGLY. COPYRIGHT 1969 BY DIGITAL EQUIPMENT CORPORATION



NOTES:
PIN 7 ON EACH IC = GND
PIN 14 ON EACH IC = +5V

E1, E2, E3	INTEGRATED CKT. DEC7474N	1905547
R3, R4	RES. 750 1/4W 5% CC	1301401
R1, R2	RES. 330 1/4W 5% CC	1300295
C1, C2, C3	CAP. .01MFD 100V 20% DISC	1001610
PARTS LIST		A-PL-M205-0-0
REFERENCE DESIGNATION	DESCRIPTION	PART NO.

M205-2

REVISIONS	CHK	CHG NO.	REV.	B
		00001		

DRN.	DATE
<i>M. Haller</i>	2-17-69
CHK'D	DATE
<i>K. Scherer</i>	3/12/69
ENG'D	DATE
<i>J. C. Oermann</i>	4/17/69
PROD.	DATE

TRANSISTOR & DIODE CONVERSION CHART			
DEC	EIA	DEC	EIA

digital
EQUIPMENT CORPORATION
MAYNARD, MASSACHUSETTS

TITLE			
5 "D" FLIP FLOPS M205			
SIZE	CODE	NUMBER	REV.
B	CS	M205-0-1	B
PRINTED CIRCUIT REV.			
A			

DEC FORM NO. DRB 102

DIST. 324,439,466³ P111