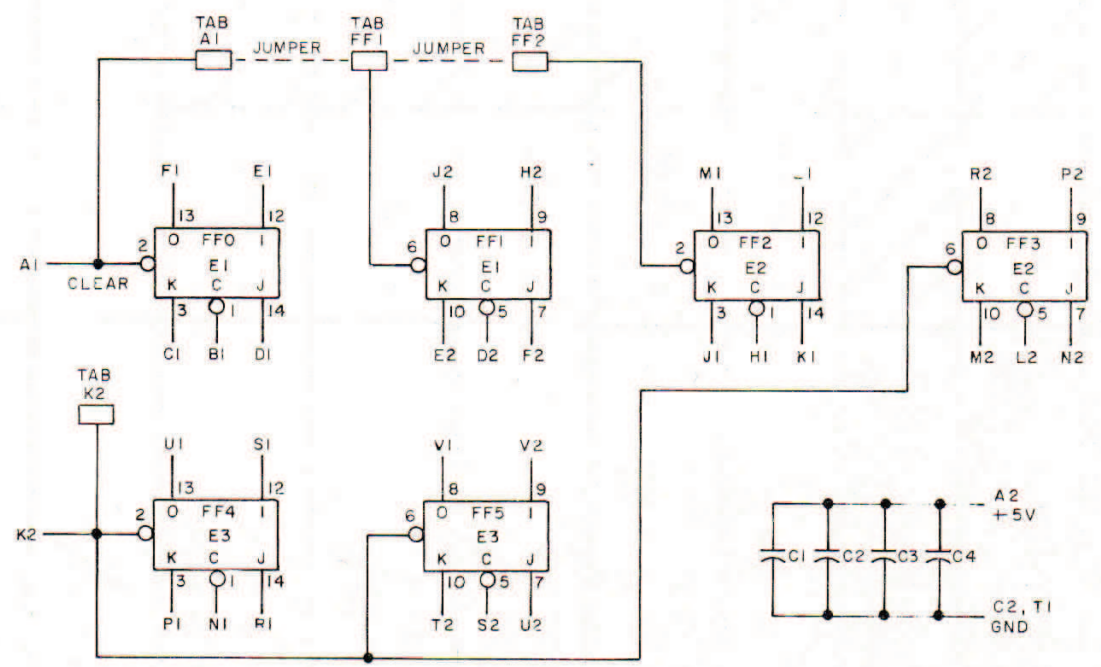


THIS DOCUMENT IS UNCLASSIFIED ON 08-11-2011 AND MAINTAINED HEREIN BY THE NATIONAL ARCHIVES AT COLLEGE PARK, MARYLAND. DATE OF DECLASSIFICATION: 1967 BY DIGITAL INFORMATION CORPORATION.



UNLESS OTHERWISE INDICATED:
 IC'S ARE DEC7473N
 PIN 4 ON EACH IC = +5V
 PIN 11 ON EACH IC = GND
 CAPACITORS ARE .01 MFD



FLIP-FLOP M207

M207-0-1

B