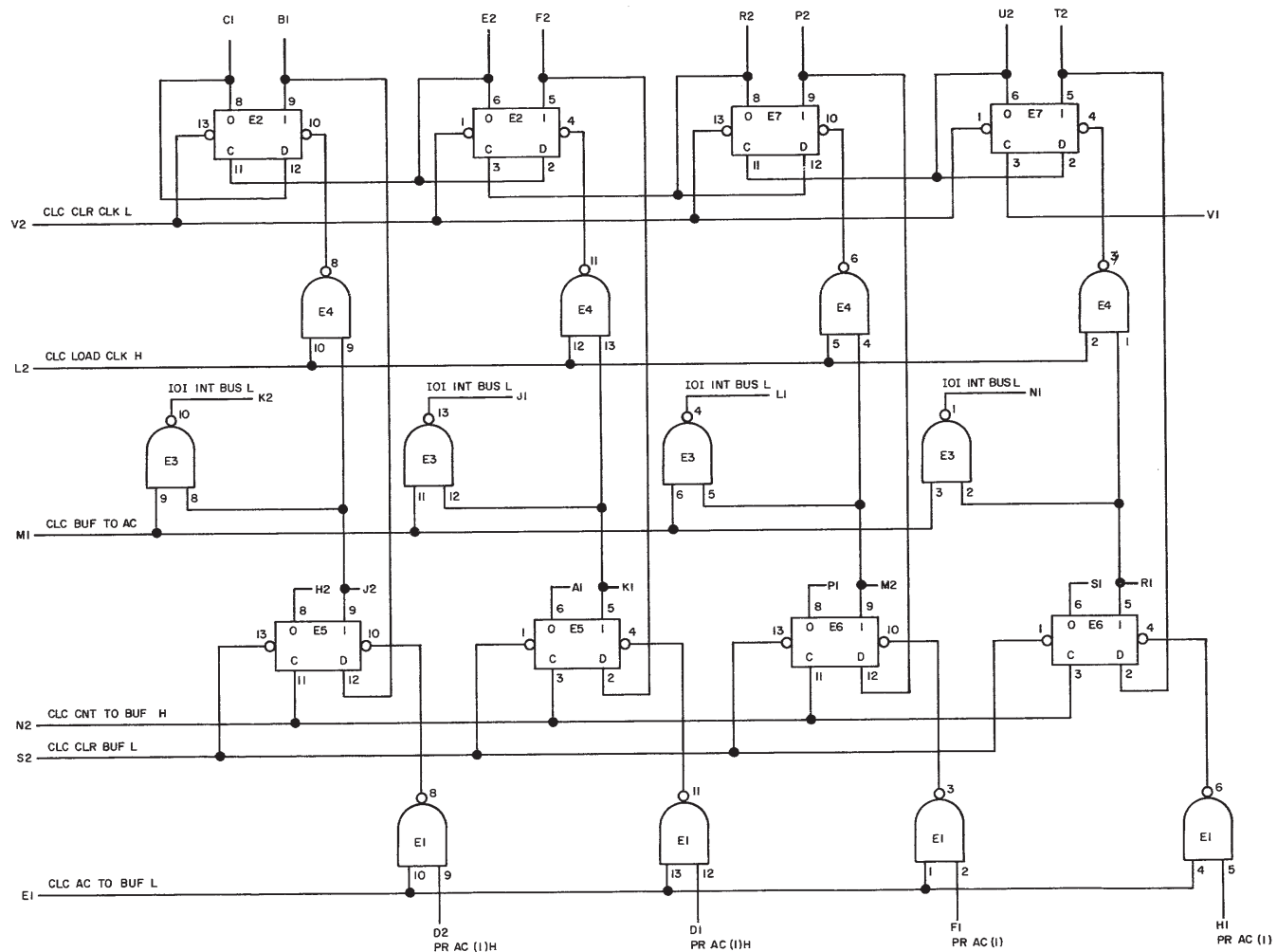
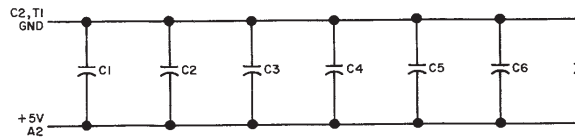


THIS SCHEMATIC IS FURNISHED ONLY FOR TEST AND MAINTENANCE PURPOSES. THE CIRCUITS ARE PROPRIETARY IN NATURE AND SHOULD BE TREATED ACCORDINGLY. COPYRIGHT 1969 BY DIGITAL EQUIPMENT CORPORATION



UNLESS OTHERWISE INDICATED:
 PIN 7 ON EACH IC = GND
 PIN 14 ON EACH IC = +5V
 CAPACITORS ARE .01MFD, 100V, 20%, DISC
 E2, E5, E6 AND E7 ARE DEC 7474N
 E1 AND E4 ARE DEC 7400N
 E3 IS A DEC 7401N



REV. NUMBER
 M217-0-1
 SIZE CODE C CS

REVISIONS	CHK	CHG	NO	REV

DRN	DATE
R. BUTLER	4/15/69
CHK'D	DATE
R. A. Galletta	4/15/69
ENG	DATE
R. Schwaner	4/15/69
PRD	DATE
R. Schwaner	4/15/69

TRANSISTOR & DIODE CONVERSION CHART			
DEC	EIA	DEC	EIA

digital
 EQUIPMENT CORPORATION
 MAYNARD, MASSACHUSETTS

TITLE		NUMBER		REV.
CLOCK REGISTER M217		M217-0-1		
SIZE	CODE	NUMBER		
C	CS	M217-0-1		
PRINTED CIRCUIT REV.				
				A

DEC FORM NO. DRC 102

5 DIST. 324,434,435-3 PINK