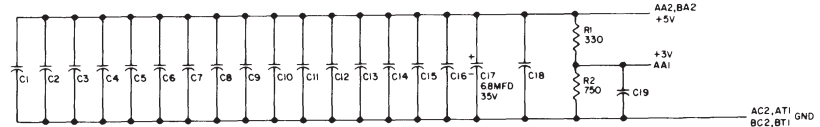
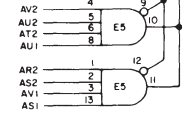
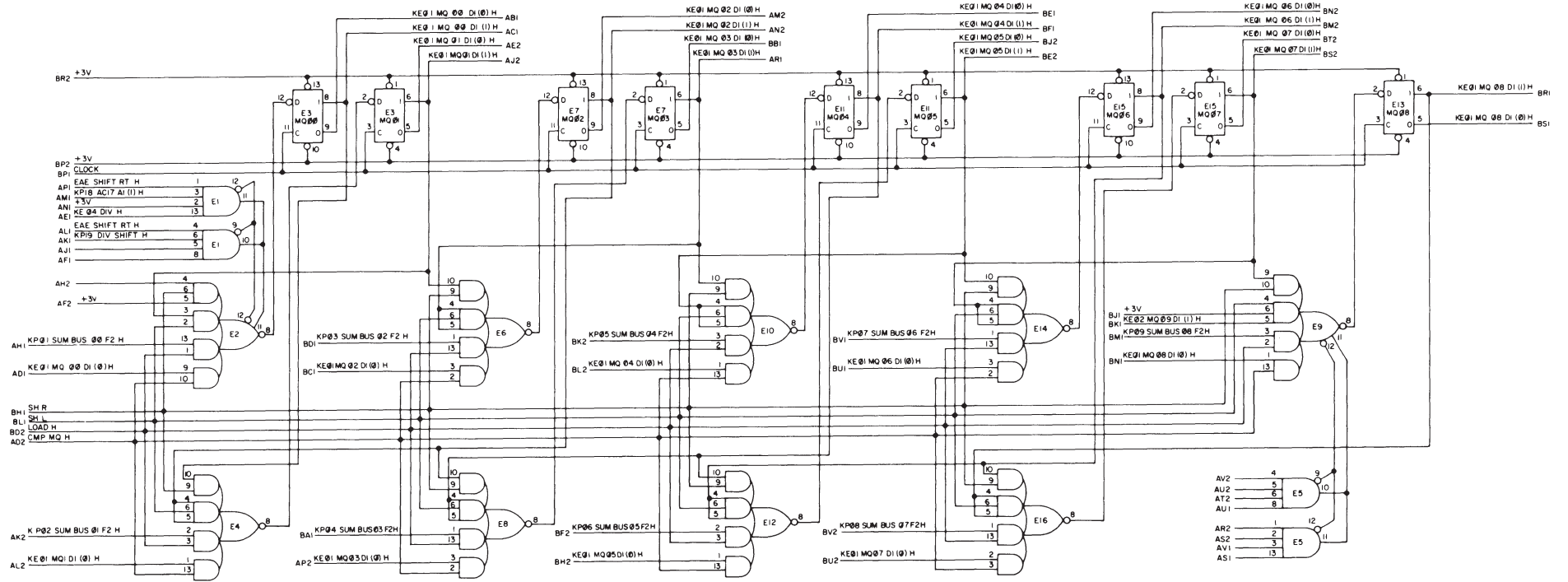


THIS SCHEMATIC IS FURNISHED ONLY FOR TEST AND MAINTENANCE PURPOSES. THE CIRCUITS ARE PROPRIETARY IN NATURE AND SHOULD BE TREATED ACCORDINGLY. COPYRIGHT 1968 BY DIGITAL EQUIPMENT CORPORATION.

M218-2



UNLESS OTHERWISE INDICATED  
 CAPACITORS ARE: DI MFD, 100V, 20%  
 RESISTORS ARE: 1/4W, 5%  
 PIN 7 ON EACH IC = GND  
 PIN 14 ON EACH IC = +5V  
 E2, E4, E6, E8, E9, E10, E12, E14, E16 ARE DEC74H53N  
 E3, E7, E11, E13, E15 ARE DEC7474N  
 E1, E5 ARE DEC74H60N

17 16 15 14 13 12 11 10 9 8 7 6 5 4 3 2 1	TRANSISTOR & DIODE CONVERSION CHART				TITLE	
	DEC	EM	DEC	EM	MO REGISTER M218	
	EQUIPMENT CORPORATION PRINTED CIRCUIT REV				DATE	NUMBER
					D	CS