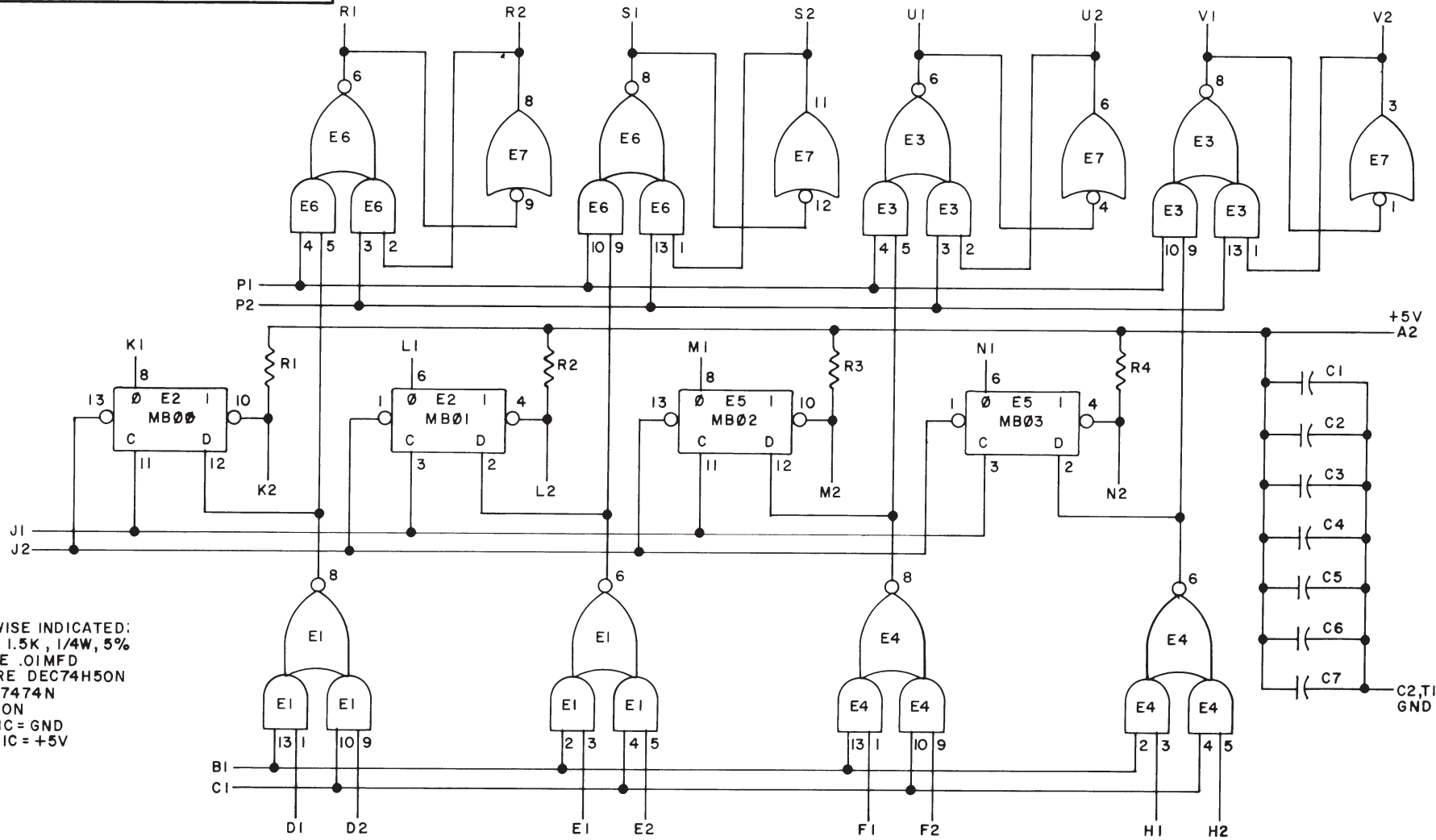


THIS SCHEMATIC IS FURNISHED ONLY FOR TEST AND MAINTENANCE PURPOSES. THE CIRCUITS ARE PROPRIETARY IN NATURE AND SHOULD BE TREATED ACCORDINGLY. COPYRIGHT 1969 BY DIGITAL EQUIPMENT CORPORATION

M223-2



UNLESS OTHERWISE INDICATED:
 RESISTORS ARE 1.5K, 1/4W, 5%
 CAPACITORS ARE .01MFD
 E1, E3, E4, E6 ARE DEC74H50N
 E2, E5 ARE DEC7474N
 E7 IS DEC74H00N
 PIN 7 ON EACH IC = GND
 PIN 14 ON EACH IC = +5V

REVISIONS	CHK	CHG NO.	REV.
	5	00001	C

DRN	DATE
<i>M. Keller</i>	5-7-69
CHK'D	DATE
<i>G. Young</i>	5-8-69
ENG	DATE
<i>P. Conner</i>	7/17/69
PROD.	DATE

TRANSISTOR & DIODE CONVERSION CHART			
DEC	EIA	DEC	EIA



TITLE			
MA MB REGISTER M223			
SIZE	CODE	NUMBER	REV.
B	CS	M223-0-1	C
PRINTED CIRCUIT REV.			B