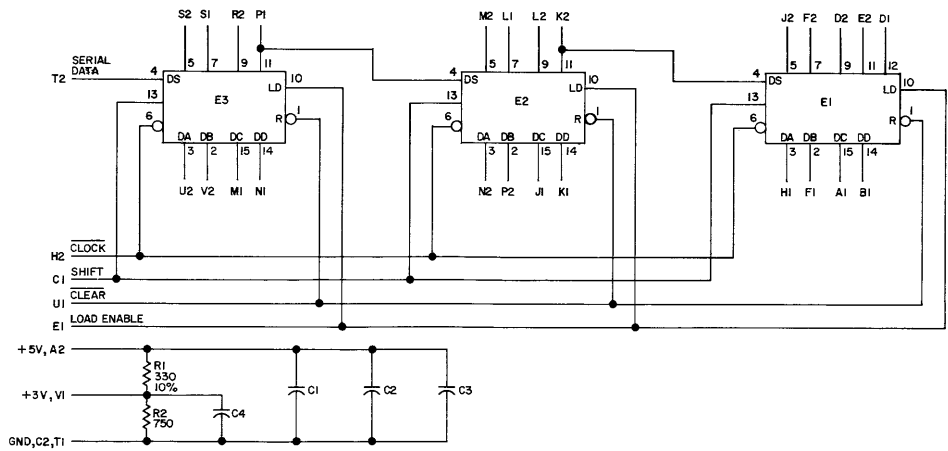


THIS SCHEMATIC IS FURNISHED ONLY FOR TEST AND MAINTENANCE PURPOSES. THE CIRCUITS ARE PROPRIETARY IN NATURE AND SHOULD BE TREATED ACCORDINGLY. COPYRIGHT 1969 BY DIGITAL EQUIPMENT CORPORATION



UNLESS OTHERWISE INDICATED:  
 RESISTORS ARE 1/4W, 5%  
 CAPACITORS ARE .01MFD, 100V, 20%  
 IC'S ARE DEC8271  
 PIN 8 ON EACH IC=GND  
 PIN 16 ON EACH IC=+5V

REVISIONS  
 CHK'D ENG NO. REV.

DRN	DATE
<i>D. Kelly</i>	12-16-69
CHK'D	DATE
<i>J. S. Kelly</i>	1-2-70
ENG.	DATE
<i>J. S. Kelly</i>	1-11-70
APP'D.	DATE
<i>D. Kelly</i>	2-17-70

TRANSISTOR & DIODE CONVERSION CHART			
DEC		EIA	

**digital**  
 EQUIPMENT CORPORATION  
 MAYNARD, MASSACHUSETTS

TITLE DISK SHIFT REGISTER M233			
SIZE B	CODE CS	NUMBER M233-0-1	REV.
PRINTED CIRCUIT REV.			A