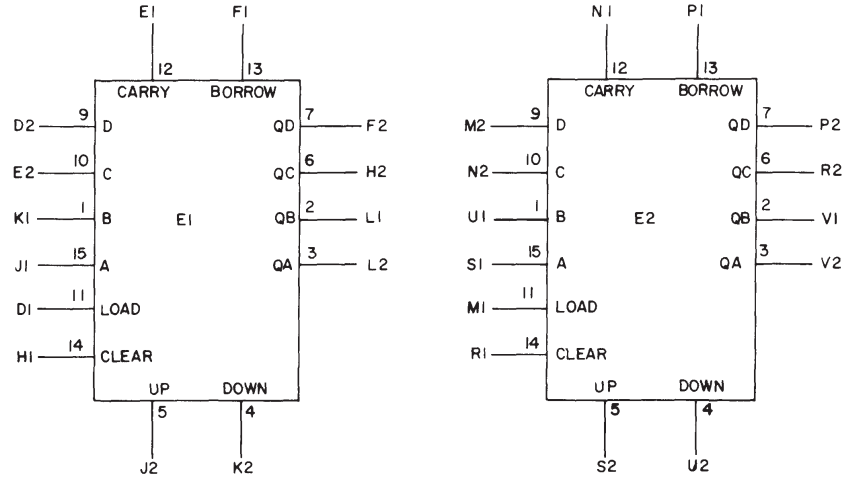
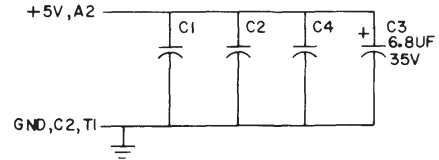


REV C  
NUMBER M238-0-1  
SIZE B  
CODE CS

THIS SCHEMATIC IS FURNISHED ONLY FOR TEST AND MAINTENANCE PURPOSES. THE CIRCUITS ARE PROPRIETARY IN NATURE AND SHOULD BE TREATED ACCORDINGLY. COPYRIGHT 1970 BY DIGITAL EQUIPMENT CORPORATION



UNLESS OTHERWISE INDICATED:  
E1, E2 ARE DEC74193  
PIN 8 = GND ON E1, E2  
PIN 16 = +5V  
CAPACITORS ARE .01UF, 100V, 20%



REVISIONS	CHK	CHG NO	REV
		00001	C

DRN	NANCY MOORE	DATE	8/21/70
CHK'D	<i>Orsberry</i>	DATE	9/18/70
ENG	<i>S. Seider</i>	DATE	10/23/70
PROD		DATE	

TRANSISTOR & DIODE CONVERSION CHART			
DEC		EIA	

**digital**  
EQUIPMENT CORPORATION  
MAYNARD, MASSACHUSETTS

TITLE 2-SYNCHRONOUS 4 BIT UP/DOWN CONVERTERS M238			
SIZE	CODE	NUMBER	REV
B	CS	M238-0-1	C
PRINTED CIRCUIT REV.			
			D

DEC FORM NO. DRB 102

DIST. 324,434,435 4.1 PINK