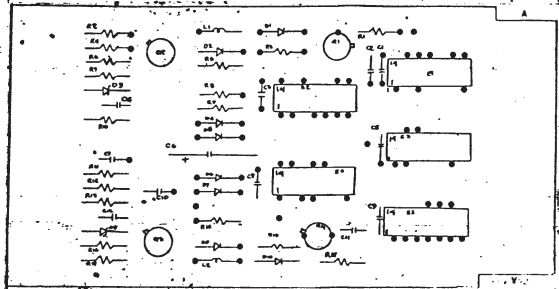
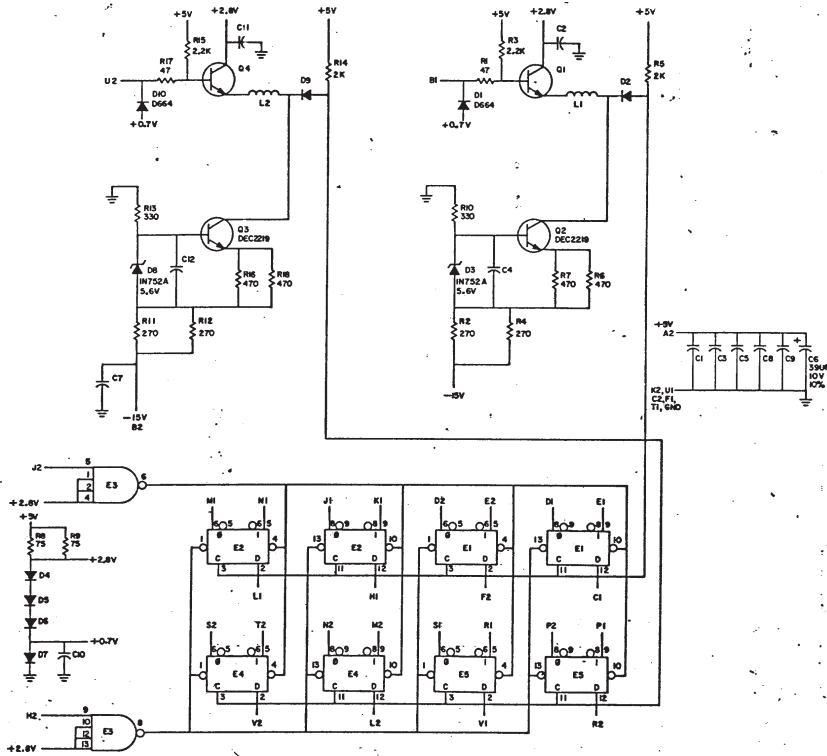


THIS SCHEMATIC IS FURNISHED ONLY FOR LIST AND MAINTENANCE PURPOSES. THE CIRCUITS ARE PROPRIETARY IN NATURE AND SHOULD BE TREATED ACCORDINGLY. COPYRIGHT 1970, BY DIGITAL EQUIPMENT CORPORATION.

1-0-6924 1001115



UNLESS OTHERWISE INDICATED:
 RESISTORS ARE 1/4W, 5%
 CAPACITORS ARE .01UF, 100V, 20%
 TRANSISTORS ARE DEC3009B
 DIODES ARE D662
 DEC1874H74+E1E2, E4E5,
 DEC1874H40+E3
 PN7-6ND ON ALL IC'S
 PM14-+5V
 L1, L2 = FERRITE BEAD



QTY.	DEC PART NO.	DESCRIPTION	DTY.
23	9008337-06	HANDLE, FLIP CHIP - MAGENTA	1
22	9006732	EYELET RGS 4-7	2
21	5209506	FERRITE BEAD	2
20	3910553	I.C. DEC 1074 HTA	4
19	3910469	I.C. DEC 1074 HLD	1
18	1503100	TRANSISTOR DEC 3009B	2
17	1501881	TRANSISTOR DEC 2219	2
16	1302388	RES. 2K, 1/4W, 5%	2
15	1302379	RES. 75, 1/4W, 5%	2
14	1301972	RES. 270, 1/4W, 5%	4
13	1300417	RES. 2.2K, 1/4W, 5%	2
12	1300316	RES. 470, 1/4W, 5%	4
11	1300295	RES. 330, 1/4W, 5%	2
10	1300202	RES. 47, 1/4W, 5%	2
9	1102808	DICDE 1N752A, 5.6V	2
8	1100114	DICDE D664	2
7	1100113	DICDE D662	6
6	1001610	CAP. .01UF, 100V, 20% DISC	11
5	1000076	CAP. 39UF, 10V, 10% S. TANT	1
4	5009332	ETCHED CIRCUIT BOARD	1
3	B-PH-P243-0-6	MODULE ECO HISTORY	
2	C-AH-P243-0-5	ASSY/DRILLING HOLE LAYOUT	
1	K-CO-P243-0-4	X-Y COORDINATE HOLE LOCATION	

REVISIONS		TRANSISTOR & DIODE CONVERSION CHART				DATE		PARTS LIST	
NO.	DESCRIPTION	DEC	EM	DEC	EM	DATE	DATE	QTY.	DESCRIPTION
1	INITIAL								
2	REVISED								

8 TYPED FLIP FLOPS M243
 DIGITAL EQUIPMENT CORPORATION
 ME43-0-1
 PRINTED CIRCUIT REV. 8

M-892

Paul