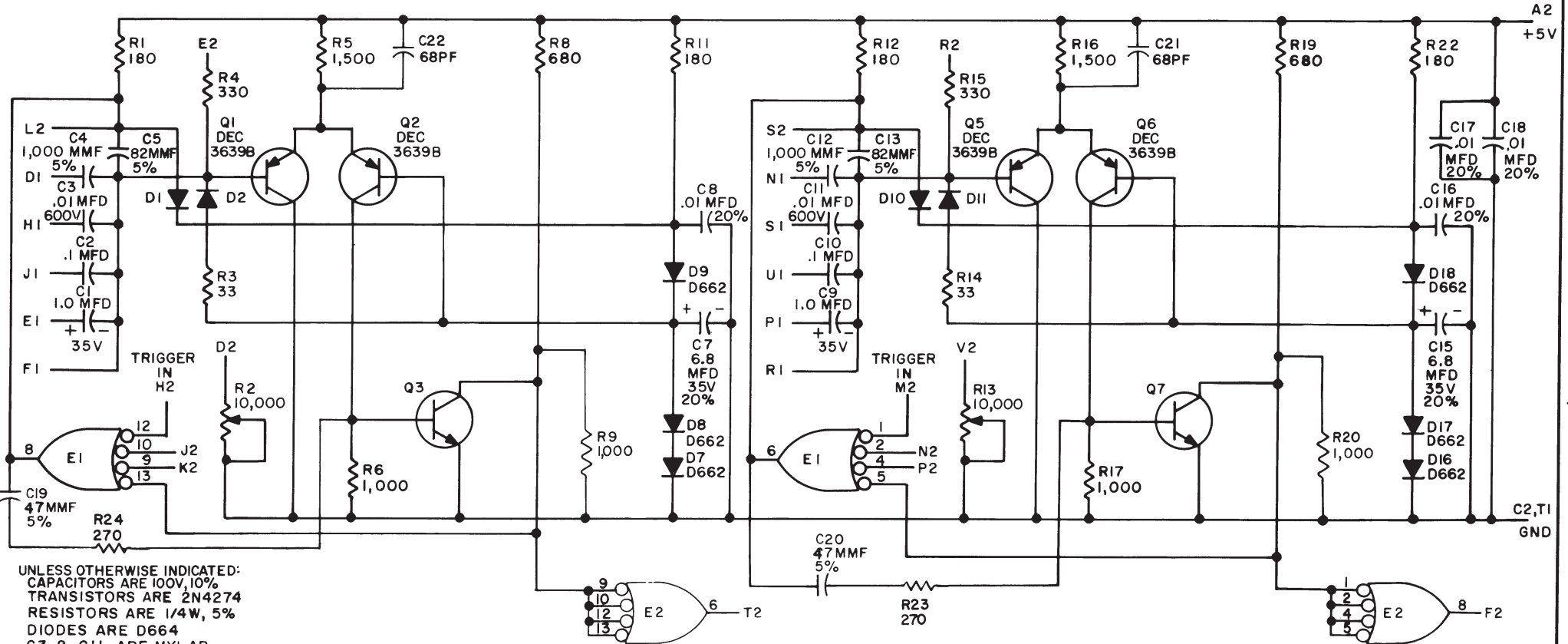


THIS SCHEMATIC IS FURNISHED ONLY FOR TEST AND MAINTENANCE PURPOSES. THE CIRCUITS ARE PROPRIETARY IN NATURE AND SHOULD BE TREATED ACCORDINGLY. COPYRIGHT 1967 BY DIGITAL EQUIPMENT CORPORATION

M302-4



UNLESS OTHERWISE INDICATED:
 CAPACITORS ARE 100V, 10%
 TRANSISTORS ARE 2N4274
 RESISTORS ARE 1/4W, 5%
 DIODES ARE D664
 C3 & C11 ARE MYLAR
 E1 IS DEC74H40N
 PIN 7 ONIC'S= GND
 PIN 14 ONIC'S= +5V
 R2 & R13 ARE HELITRIM POT #78PR
 1.0MFD CAPACITORS ARE TANTALUM
 E2 IS DEC7413N

PARTS LIST A-PL-M302-0-0

REVISONS	CHK	CHG NO	REV	B	D	E	F	H	J	K	L
		6507									
		6719									
		6881									
		7077									
		00001									
		00002									
		00003									
		00004									

DRN.	<i>M. Waller</i>	DATE	6-15-67
CHK'D	<i>[Signature]</i>	DATE	6/21/67
ENG.	<i>L. White</i>	DATE	6/21/67
PROD.	I	DATE	

TRANSISTOR & DIODE CONVERSION CHART			
DEC		EIA	
2N4274		SAME	
DEC3639B		2N3639	
D662		1N645	
D664		1N3606	



TITLE			
ONE SHOT DELAY M302			
SIZE	CODE	NUMBER	REV.
B	CS	M302-0-1	L
PRINTED CIRCUIT REV.			
L			