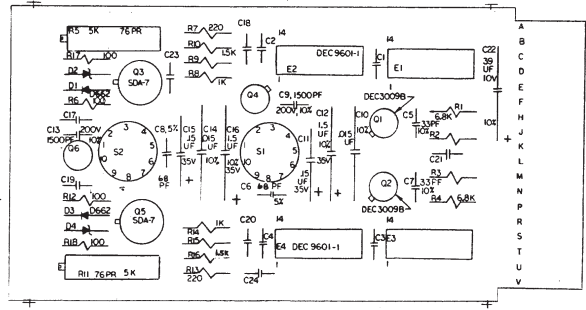
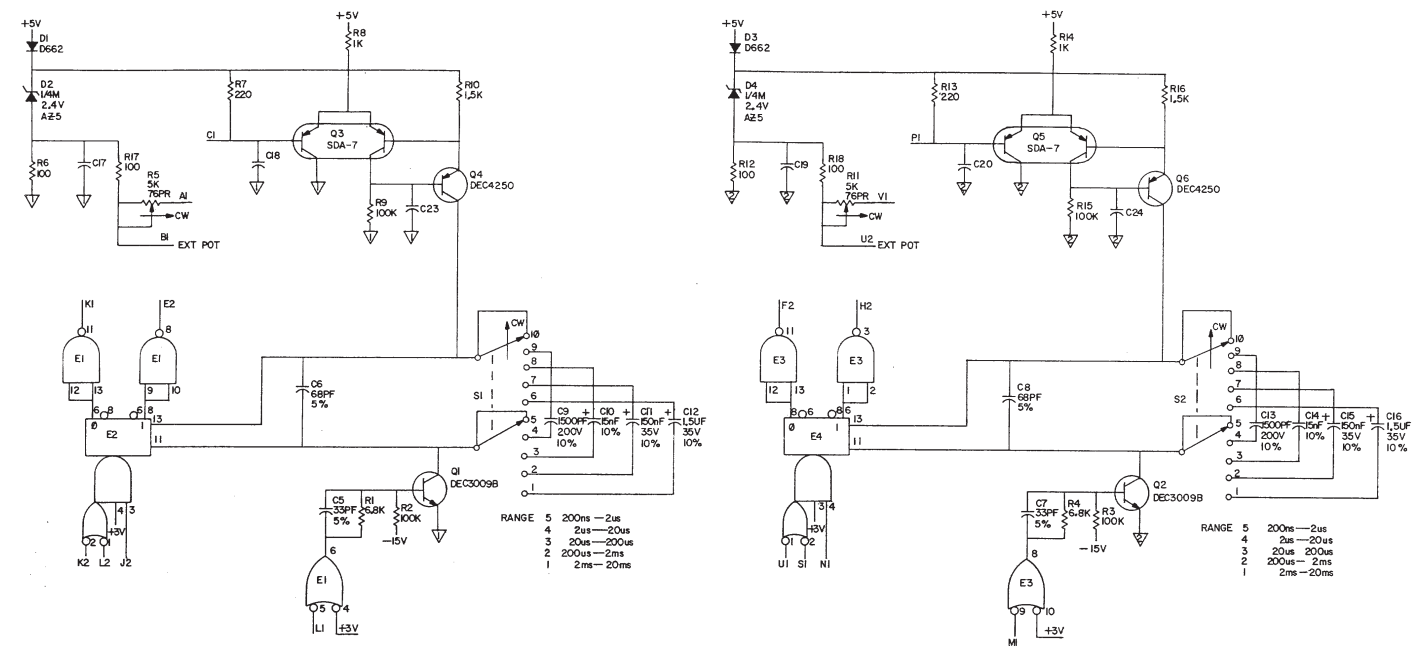


THIS SCHEMATIC IS FURNISHED ONLY FOR LIST AND MAINTENANCE PURPOSES. THE CIRCUITS ARE PROPRIETARY IN NATURE AND SHOULD BE TREATED ACCORDINGLY. COPYRIGHT 1971 BY DIGITAL EQUIPMENT CORPORATION.



UNLESS OTHERWISE INDICATED:  
CAPACITORS = .01UF, 100V, 20%  
RESISTORS = 1/4W, 5%  
S1, S2 = SPECTROL 82-21-25  
E1, E3 = DEC1074H00  
E2, E4 = DEC9601-1  
PIN 7 = GND ON ALL IC'S  
PIN 14 = +5V

29	9008337-06	DIODE, FLIP CHIP - MAGENTA	1
28	9006732	EYELET #654-7	2
27	1910407	I.C. DEC 9601-1	2
26	1910462	I.C. DEC1074H00	2
25	1509142	TRANSISTOR 2N4250	2
24	1403100	TRANSISTOR DEC 3009B	2
23	1501901	TRANSISTOR SDA-7-S	2
22	1309143-09	POTENTIOMETER 5K 76PR 3/4W 10%	2
21	1302466	RES. 100K 1/4 5%	4
20	1301423	RES. 6.8K 1/4 5%	2
19	1300391	RES. 1.5K 1/4 5%	2
18	1300365	RES. 1K 1/4 5%	2
17	1300271	RES. 220 1/4 5%	2
16	1300229	RES. 100 1/4 5%	4
15	1209806	SWITCH, SPECTROL 87-21-25	2
14	1101938	DIODE 1N4148	2
13	1100113	DIODE D662	2
12	1009725	CAP. 1.5UF 35V 10%	2
11	1002630	CAP. .015UF 100V 10%	2
10	1002180	CAP. .15UF 35V 20%	2
9	1001610	CAP. .01UF 100V 20%	11
8	1000076	CAP. 39UF 10V 10%	1
7	1000054	CAP. 1500PF 200V 10%	2
6	1000014	CAP. 33PF 100V 5%	2
5	1000009	CAP. 33PF 100V 5%	2
4	5009544	ETCHED CIRCUIT BOARD	1
3	30444-3070-0-6	MODULE ECC HISTORY	
2	30444-3070-0-5	ASSY/PCB/1113-0 HOLE LAYOUT	
1	30444-3070-0-4	PCB/1113-0 HOLE LAYOUT	
ITEM NO.	QTY	DESCRIPTION	QTY

DESIGNED BY	DATE	TRANSISTOR & DIODE CONVERSION CHART	TITLE
CHECKED BY	DATE	DEC 2N4250 2N4250 SDA-7 IN4370	digital INTEGRATING ONE SHOT
APPROVED BY	DATE	DEC 2N4250 2N4250 SDA-7 IN4370	DIGITAL EQUIPMENT CORPORATION
DATE	DATE	DEC 2N4250 2N4250 SDA-7 IN4370	REV C