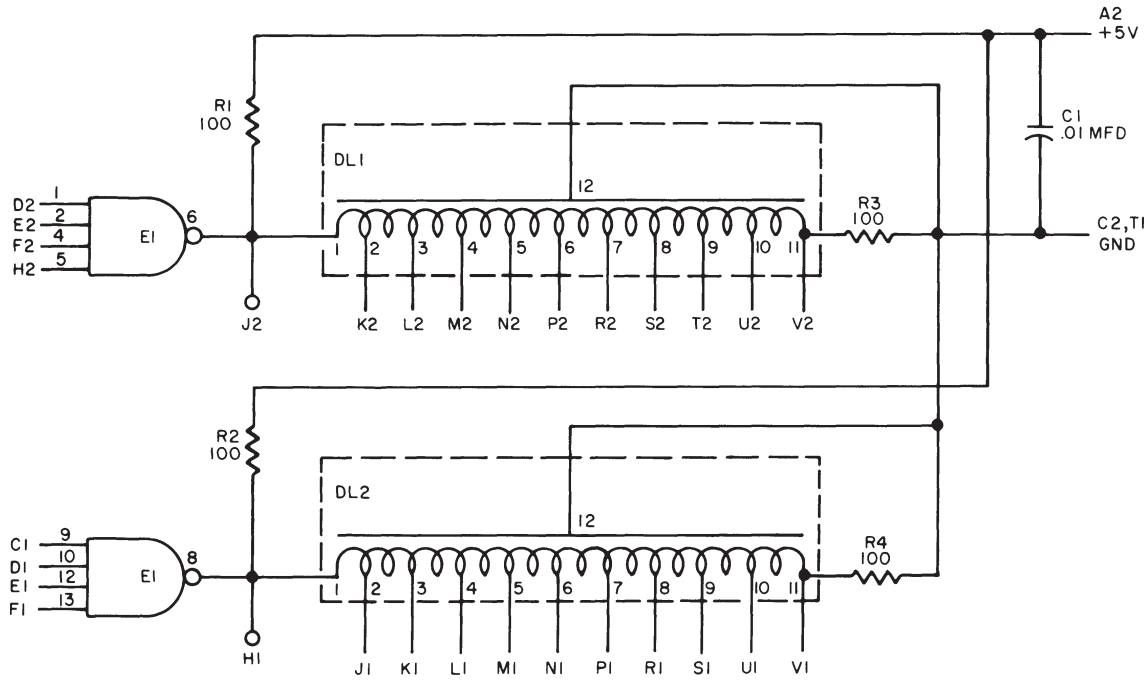


REV	B	NUMBER	M311-0-1	CS	B	SIZE	B
-----	---	--------	----------	----	---	------	---

THIS SCHEMATIC IS FURNISHED ONLY FOR TEST AND MAINTENANCE PURPOSES. THE CIRCUITS ARE PROPRIETARY IN NATURE AND SHOULD BE TREATED ACCORDINGLY. COPYRIGHT 1969 BY DIGITAL EQUIPMENT CORPORATION



UNLESS OTHERWISE INDICATED:
 EI IS DEC 74H40N
 DELAYS ARE 0-250NS IN 25NS STEPS
 RESISTORS ARE 1/4W 5%
 PIN 14 ON IC = 5V
 PIN 7 ON IC = GND

M311-2

REVISIONS	CHK	CHG NO.	REV.
		00001	B

DRN.	R. BUTLER	DATE	4/2/69
CHK'D	M. M... ..	DATE	4/14/69
ENG.	NO G... ..	DATE	7/17/69
PROD.		DATE	

TRANSISTOR & DIODE CONVERSION CHART			
DEC	EIA	DEC	EIA

digital
 EQUIPMENT CORPORATION
 MAYNARD, MASSACHUSETTS

TITLE			
TAP DELAY M311			
SIZE	CODE	NUMBER	REV.
B	CS	M311-0-1	B
PRINTED CIRCUIT REV.			A