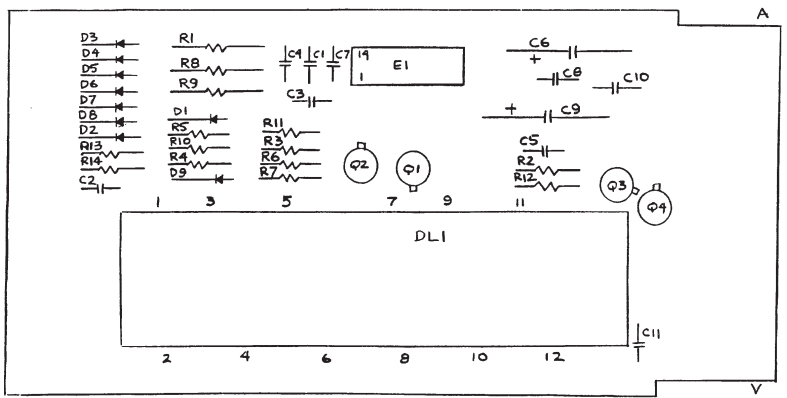
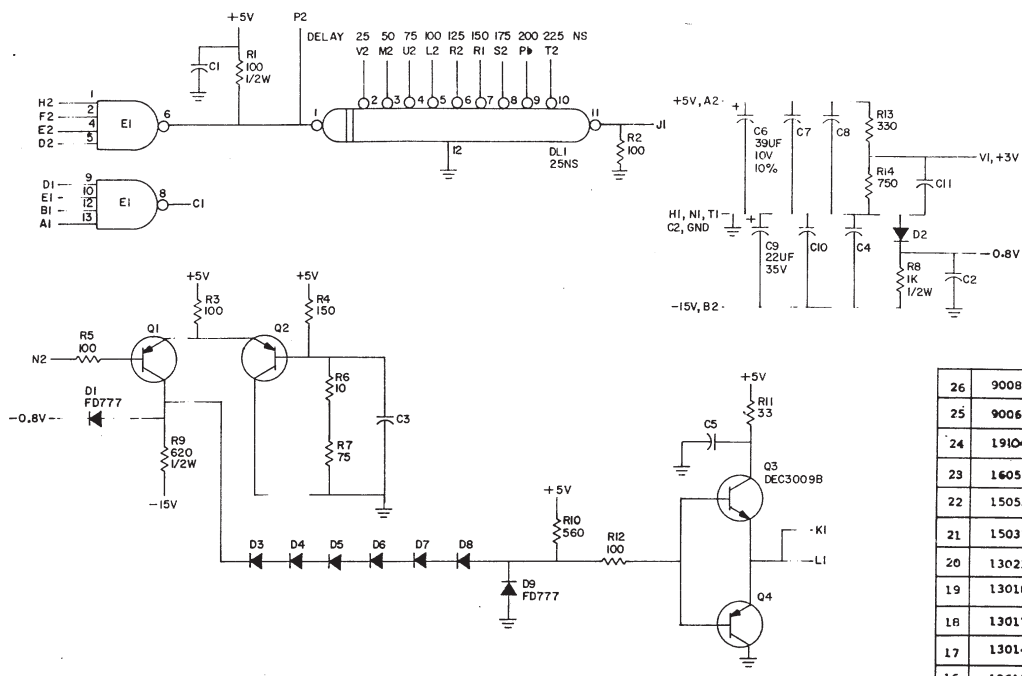


THIS SCHEMATIC IS FURNISHED ONLY FOR TEST AND MAINTENANCE PURPOSES. THE CIRCUITS ARE PROPRIETARY IN NATURE AND SHOULD BE TREATED ACCORDINGLY. COPYRIGHT 1970 BY DIGITAL EQUIPMENT CORPORATION.



UNLESS OTHERWISE INDICATED:
 CAPACITORS = .01UF, 100V, 20%
 TRANSISTORS = DEC4258
 RESISTORS = 1/4W, 5%
 DIODES = D662
 E1 = DEC1074H40
 PIN 7 = GND ON E1
 PIN 14 = +5V ON E1

26	9008337-06	HANDLE, FLIP CHIP - MAGENTA	1
25	9006732	EYELET NGS 4-7	2
24	1910469	I.C. DEC1074H40	1
23	1605529	DELAY LINE-DL-5183	1
22	1505321	TRANSISTOR DEC 4258	3
21	1503100	TRANSISTOR DEC 3009B	1
20	1302379	RES. 75, 1/4W, 5%	1
19	1301890	RES. 560, 1/4W, 5%	1
18	1301732	RES. 620, 1/4W, 5%	1
17	1301401	RES. 750, 1/4W, 5%	1
16	1301317	RES. 10, 1/4W, 5%	1
15	1300364	RES. 1K, 1/4W, 5%	1
14	1300295	RES. 330, 1/4W, 5%	1
13	1300250	RES. 150, 1/4W, 5%	1
12	1300229	RES. 100, 1/4W, 5%	4
11	1300228	RES. 100, 1/4W, 5%	1
10	1300197	RES. 33, 1/4W, 5%	1
9	1103041	DIODE FD777, 400V	2
8	1100113	DIODE D662	7
7	1002433	CAP. 22UF, 35V, 20% S. TANT	1
6	1001610	CAP. .01UF, 100V, 20% DISC	9
5	1000076	CAP. 39UF, 10V, 10% S. TANT	1
4	5009346	ETCHED CIRCUIT BOARD	1
3	B-PH-M321-0-f	MODULE ECC HISTORY	
2	C-AH-M321-0-c	ASSY/DRILLING HOLE LAYOUT	
1	K-CO-M321-0-i	X-Y COORDINATE HOLE LOCATION	

REVISIONS REV. NO. REV. DATE	DRN NANCY MOORE	DATE 12/16/70	TRANSISTOR & DIODE CONVERSION CHART				TITLE TAPPED DELAY LINE M321			
			DEC	EIA	DEC	EIA				
00001	00001	12-11	DEC3009B	2N3009	D662	1N645	digital EQUIPMENT CORPORATION MAYFIELD, MASSACHUSETTS	SIZE C CS	NUMBER M321-0-1	REV B
			FD777	SAW				PRINTED CIRCUIT REV.	B	