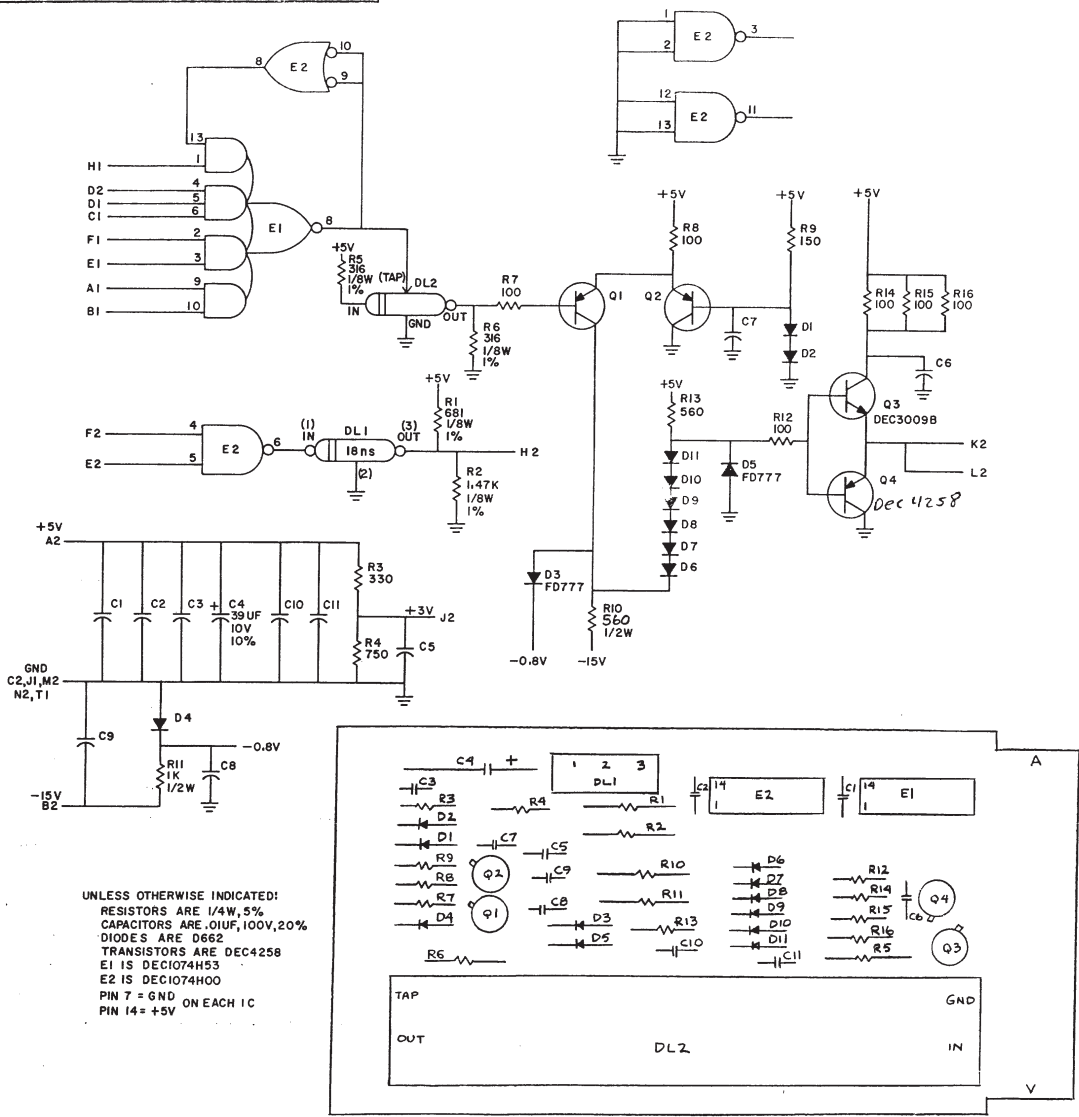


THIS SCHEMATIC IS FURNISHED ONLY FOR TEST AND MAINTENANCE PURPOSES. THE CIRCUITS ARE PROPRIETARY IN NATURE AND SHOULD BE TREATED ACCORDINGLY. COPYRIGHT 1971 BY DIGITAL EQUIPMENT CORPORATION



UNLESS OTHERWISE INDICATED:
 RESISTORS ARE 1/4W, 5%
 CAPACITORS ARE .01UF, 100V, 20%
 DIODES ARE D662
 TRANSISTORS ARE DEC4258
 E1 IS DEC1074H53
 E2 IS DEC1074H00
 PIN 7 = GND ON EACH IC
 PIN 14 = +5V

26	9006317-06	HANDLE, P. IF CHIP - MAGENTA	1
25	9006317-07	HANDLE, P. IF CHIP - MAGENTA	2
24	1910514	I.C. DEC1074H53	1
23	190462	I.C. DEC1074H00	1
22	1610079-0	DELAY LINE 80 N SEC VAR 300Ω	1
21	1610080	DELAY LINE 18 N SEC 390 10%	1
20	1505321	TRANSISTOR 2N4258	3
19	1503100	TRANSISTOR 3009 B-S	1
18	1305108	RES. 1.47K, 1/8W, 1% MF	1
17	1302872	RES. 681, 1/8W, 1% MF	1
16	1300295	RES. 330, 1/4W, 5%	1
15	1304863	RES. 316, 1/8W, 1% MF	2
14	1301401	RES. 750, 1/4W, 5%	1
13	1301890	RES. 560, 1/4W, 5%	1
12	1300328	RES. 660, 1/4W, 5%	1
11	1300364	RES. 1K, 1/4W, 5%	1
10	1300250	RES. 150, 1/4W, 5%	1
9	1300229	RES. 100, 1/4W, 5%	6
8	1103041	DIODE F0777	2
7	1100113	DIODE D662	9
6	1000076	CAP. 39UF, 10V, 10%	1
5	1001610	CAP. .01UF, 100V, 20%	10
4	5009380	ETCHED CIRCUIT BOARD	1
3	B-MH-X362-0-6	MODULE ECO HISTORY	
2	C-AH-X362-0-5	ASSY/DRILLING HOLE LAYOUT	
1	K-CO-X362-0-4	X-Y COORDINATE HOLE LOCATION	
ITEM NO.	DEC PART NO.	DESCRIPTION	QTY.
PARTS LIST			

REV	NO	DATE	BY
1	1	11/27/71	S. Lopez

DEC FORM NO. DRC 102

DRN	DATE	CHK'D	DATE	ENG	DATE	PROJ	DATE
S. Lopez	11/27/71						

TRANSISTOR & DIODE CONVERSION CHART			
DEC	EIA	DEC	EIA
D662	IN645	DEC3009B	2N3009B
FD777	SAME	DEC4258	2N4258

digital REGISTER DRIVER M362
 EQUIPMENT CORPORATION
 MIDDLEBORO, MASSACHUSETTS

TITLE: LATCHED REGISTER DRIVER M362
 SIZE: C CS NUMBER: M362-0-1 REV: C
 PRINTED CIRCUIT REV: C