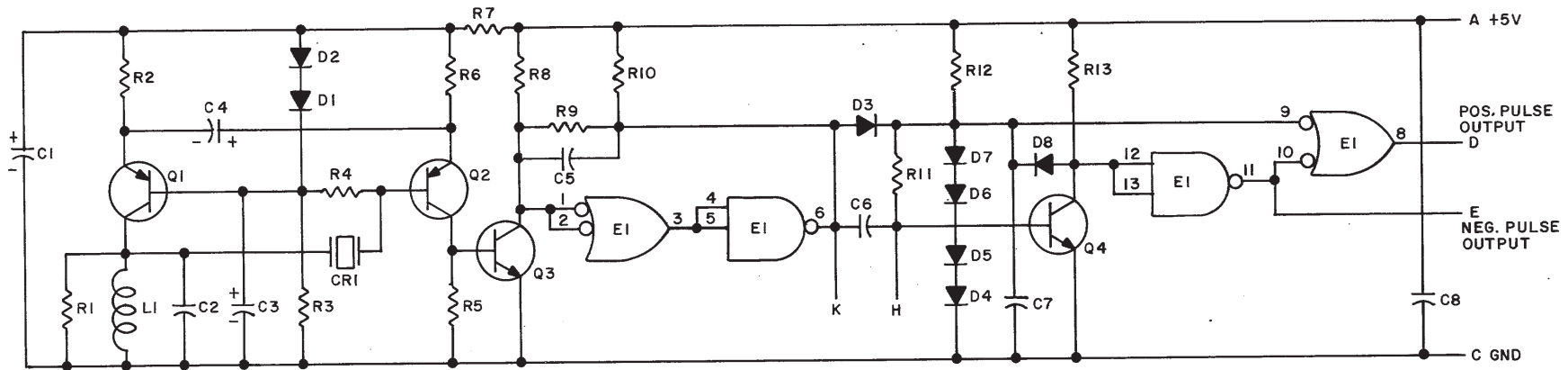


REV. NUMBER SIZE CODE B CS M405-0-1

THIS SCHEMATIC IS FURNISHED ONLY FOR TEST AND MAINTENANCE PURPOSES. THE CIRCUITS ARE PROPRIETARY IN NATURE AND SHOULD BE TREATED ACCORDINGLY. COPYRIGHT 1968 BY DIGITAL EQUIPMENT CORPORATION



NOTES:
 1. PIN 14 ON IC = +5V
 2. PIN 7 ON IC = GND
 3. FOR VALUES OF C2, L1, CR1 SEE DWG. CHART A-00517-2

R11, R12	RES. 390 1/4W 5% CC	1300309
C6	CAP. 120 MMF 100V 5% D.M.	1000018
L1, C2, CR1	SEE NOTE 3	
E1	INTEGRATED CKT. DEC7400N	1905575
Q3, Q4	TRANSISTOR DEC4274	1505302
Q1, Q2	TRANSISTOR DEC4258	1505321
R7	RES. 100 1/4W 10% CC	1300231
R4	RES. 100K 1/4W 10% CC	1300534
R3, R8, R10, R13	RES. 1K 1/4W 5% CC	1300365
R2, R5, R6, R9	RES. 2.2K 1/4W 10% CC	1300418
R1	RES. 10K 1/4W 10% CC	1300481
D3, D8	DIODE D664	1100114
D1, D2, D4-D7	DIODE D662	1100113
C7, C8	CAP. .01 MFD 100V 20% DISC	1001610
C5	CAP. 47 MMF 100V 5% D.M.	1000011
C1, C3, C4	CAP. 39 MMF 10V 10% S.TANT	1000076
	PARTS LIST	A-PL-M405-0-0
REFERENCE DESIGNATION	DESCRIPTION	PART NO.

 A B C D E F G H I J K L M N O P Q R S T U V W X Y Z

REVISIONS	CHK/CHG NO./REV.

DRN.	M. Haller	DATE	4-17-68
CHK'D		DATE	
ENG.	A. Roberts	DATE	8/22/68
PROD.		DATE	

TRANSISTOR & DIODE CONVERSION CHART			
DEC	EIA	DEC	EIA
DEC4258	2N4258		
DEC4274	NONE		
D662	1N645		
D664	1N3606		

digital
 EQUIPMENT CORPORATION
 MAYNARD, MASSACHUSETTS

TITLE	CRYSTAL CLOCK M405		
SIZE	CODE	NUMBER	REV.
B	CS	M405-0-1	
PRINTED CIRCUIT REV.			A