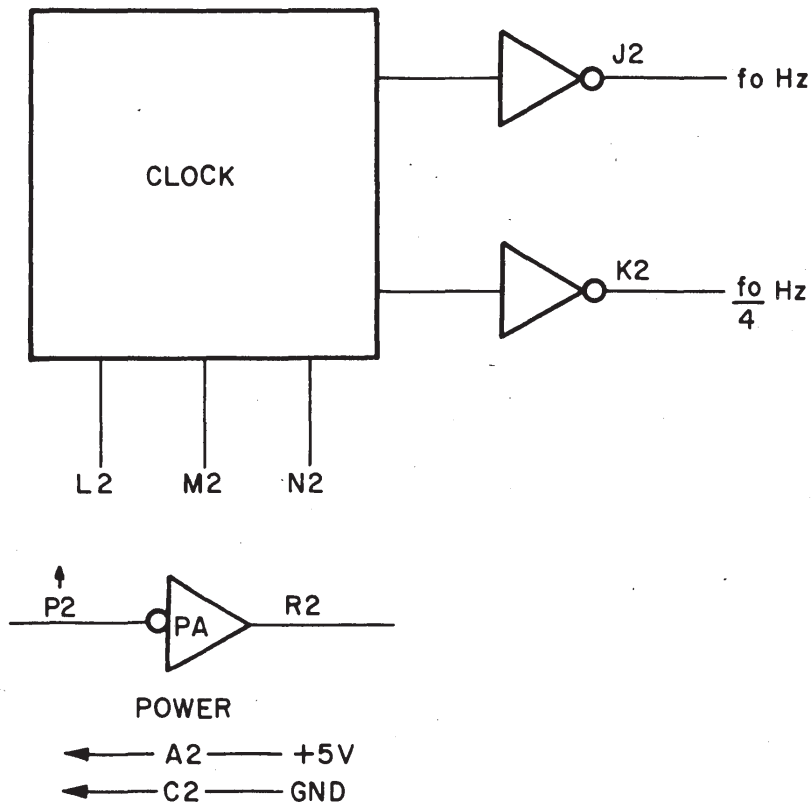


**REED CLOCK
M410**

**M
SERIES**



The M410 is a free-running contactless-resonant-reed-tuned clock which provides stable timing signals for a system using the M706 and M707 teletype converter modules. Overall frequency stability of the outputs is better than .1% in the temperature range 0°C-70°C. Available clock frequencies are listed below. A pulse amplifier is provided for the generation of nominal 150 nsec pulses.

Available Frequencies: (f_0 in HZ) = 400 (50 baud), 550, 600 (75 baud), 750, 880 (110 baud), 1200 (150 baud), 1800, 2000, 2200, 2400 (300 baud).

Inputs: The pulse amplifier input presents one unit load.

Outputs: Pin J2 drives 30 unit loads at f_0 . Pins N2 and M2 drive 9 unit loads at $f_0/2$. Pin L2 drives 9 unit loads at $f_0/4$. Pin K2 drives 30 unit loads at $f_0/4$. Pin R2 drives 10 unit loads with a nominal 150 nsec positive output pulse. Under normal operating conditions, pins L2, M2, N2, are used as test points.

Power: +5 volts at 95 ma. (max.)

M410 — \$70
