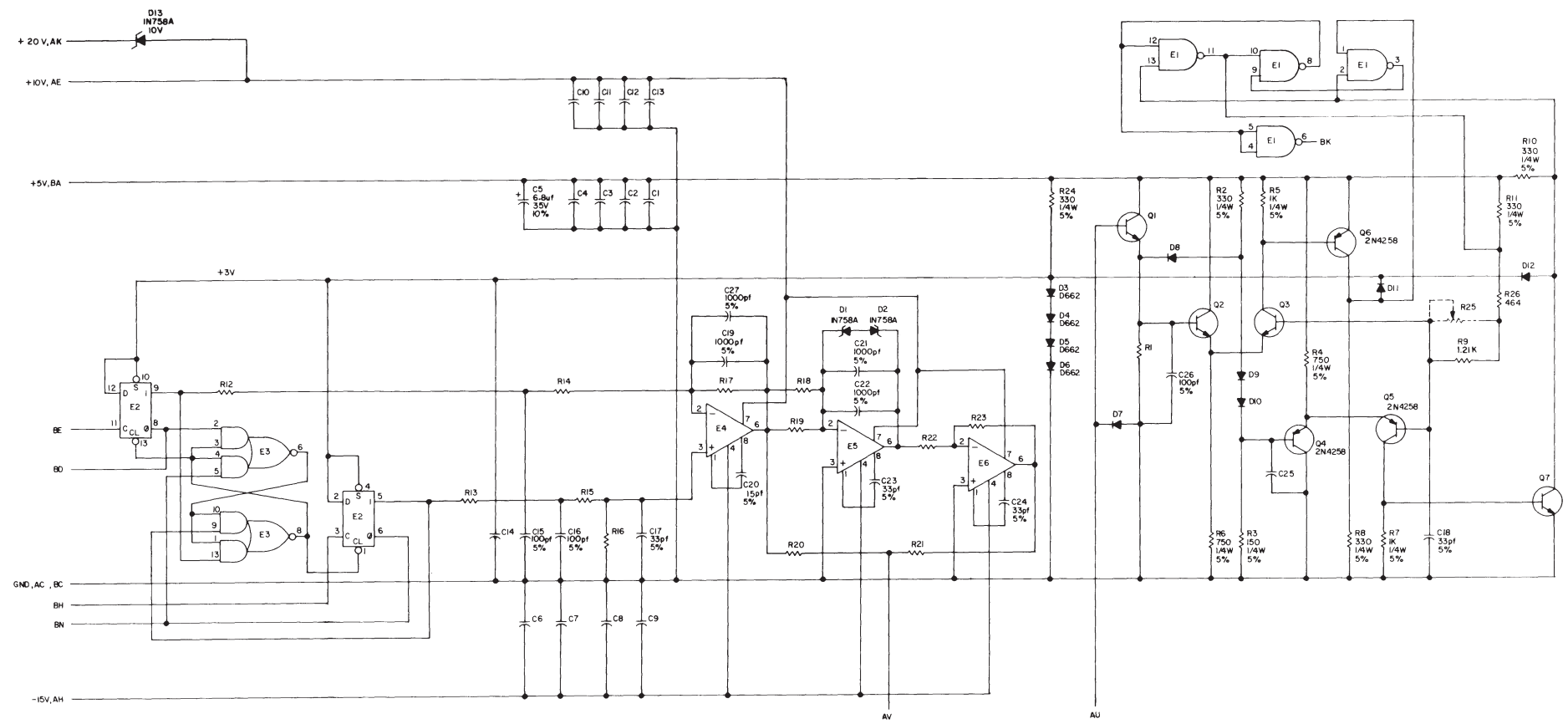


THIS SCHEMATIC IS FURNISHED ONLY FOR TEST AND MAINTENANCE PURPOSES. THE CIRCUITS ARE PROPRIETARY IN NATURE AND SHOULD BE TREATED ACCORDINGLY. COPYRIGHT 1970 BY DIGITAL EQUIPMENT CORPORATION.



M420-2

UNLESS OTHERWISE INDICATED:
 RESISTORS ARE 10K, 1/8W, 1%, MF
 CAPACITORS ARE .01μ, 100V, 20%
 DIODES ARE D664
 TRANSISTORS ARE 2N4274
 R25 IS A CUSTOMER OPTION
 E1 IS DEC74H00
 E2 IS DEC74H01
 E3-E5 ARE LM301A
 PIN 7 = GND ON E1, E2, E3
 PIN 14 = +5V
 E3 IS DEC74H50

REV	DATE	BY	CHK	APP	DESCRIPTION
1	9/17/70				
2	10/1/70				
3	10/1/70				
4	10/1/70				
5	10/1/70				
6	10/1/70				
7	10/1/70				
8	10/1/70				
9	10/1/70				
10	10/1/70				
11	10/1/70				
12	10/1/70				
13	10/1/70				
14	10/1/70				
15	10/1/70				
16	10/1/70				
17	10/1/70				
18	10/1/70				
19	10/1/70				
20	10/1/70				
21	10/1/70				
22	10/1/70				
23	10/1/70				
24	10/1/70				
25	10/1/70				
26	10/1/70				
27	10/1/70				
28	10/1/70				
29	10/1/70				
30	10/1/70				

TRANSISTOR & DIODE CONVERSION CHART			
DEC	EA	DEC	EA
2N4274	NONE	D664	IN4258
D664	IN4258	IN758A	NAME
IN758A	NAME		
IN4258	NAME		

TITLE		DATE		CODE		NUMBER		REV	
PHASE LOCK CLOCK M420		M420-0-1		D CS		M420-0-1		E	
DIGITAL EQUIPMENT CORPORATION		MAY 1970		REV		E		E	
PRINTED CIRCUIT REV		C							