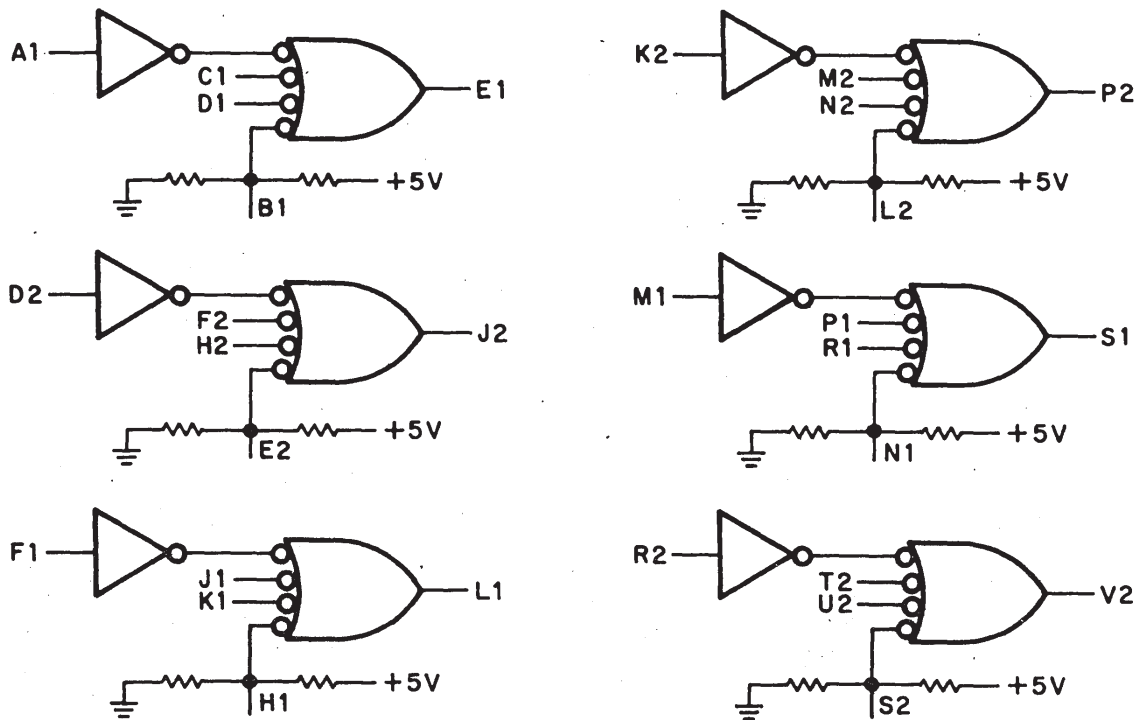


# NEGATIVE INPUT CONVERTER M506

## M SERIES



### POWER

← A2 — +5V  
 ← B2 — -15V  
 ← C2, T1 — GRD  
 -3 in ⇒ 0 OUT  
 0 in ⇒ +3 OUT

The M506 contains three non-inverting signal converters which can be used to interface the negative logic levels or pulses of duration greater than 100 nsec to M and K Series positive logic levels of +3 volts and ground. These converters operate at frequencies up to 2 MHz with typical rise and fall propagation time of respectively 70 nsec and 40 nsec.

In addition, to the negative level inputs, each converter circuit has three additional NOR inputs for positive logic levels of +3 volts and ground. One of these inputs is tied to +3 volts so that unused inputs can be tied to a source of logic 1.

**Inputs:** All negative level inputs (A1, D2, . . . R2) present a 10 ma. at ground load.

Inputs B1, E2, . . . S2 present five TTL unit loads and can drive seven TTL unit loads at logic 1 if not used as an input. All other inputs present 1 unit load.

**Outputs:** Each output can drive 10 TTL unit loads.

**Power:** +5 v at 81 ma. (max.); -15v at 115 ma. (max.).

---

M506 — \$53

---