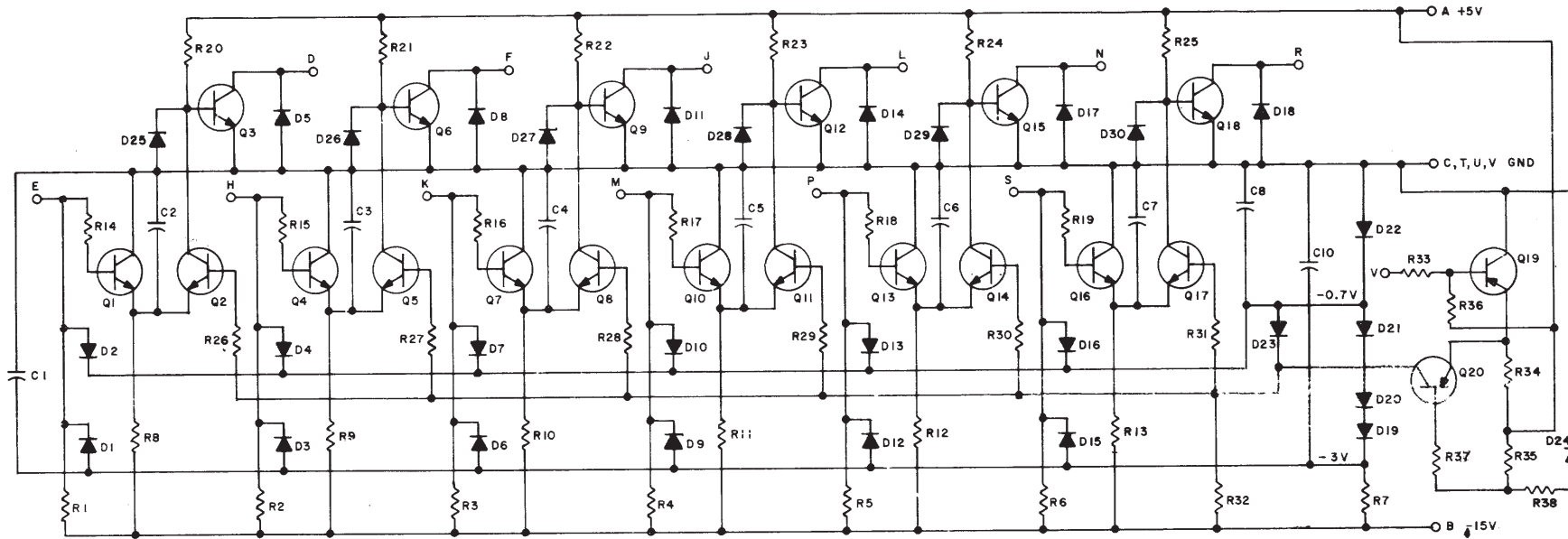


THIS SCHEMATIC IS FURNISHED ONLY FOR TEST AND MAINTENANCE PURPOSES. THE CIRCUITS ARE PROPRIETARY IN NATURE AND SHOULD BE TREATED ACCORDINGLY. COPYRIGHT 1968 BY DIGITAL EQUIPMENT CORPORATION



REV D  
NUMBER  
M507-0-1  
SIZE CODE C CS

R34	RES. 100 1/4W 5% CC	1300229
R36	RES. 10K 1/4W 10% CC	1300481
R38	RES. 220 1/4W 10% CC	1300275
Q19, Q20	TRANSISTOR DEC2894-1B	1503097
Q1-Q18	TRANSISTOR DEC3009B-S	1503100
R20-R25, R35, R37	RES. 1K 1/4W 5% CC	1300365
R8-R13	RES. 2.2K 1/4W 5% CC	1300417
R14-R19, R26-R31, R33	RES. 470 1/4W 5% CC	1300316
R1-R7, R32	RES. 1.5K 1/4W 5% CC	1300391
C2-C7	CAP. 470 MMF 100V 5% DM	1000024
C1, C8, C10	CAP. .01 MFD 100V 20% DISC	1001610
D19-D22, D24	DIODE D662	1100113
D1-D18, D23, D25-D30	DIODE D664	1100114
PARTS LIST		A-PL-M507-0-0
REFERENCE DESIGNATION	DESCRIPTION	PART NO.

REVISIONS	CHK'D	DATE
00001 A		
00003 D		

DRN	DATE	DEC	EIA
W. Muller	8-22-68		
CHK'D	DATE	DEC	EIA
W. Muller	8-23-68		
ENG	DATE	DEC	EIA
7060	3/4/68		
PROD	DATE	DEC	EIA

TRANSISTOR & DIODE CONVERSION CHART			
DEC	EIA	DEC	EIA
DEC3009B	2N3009		
D662	1N645		
D664	1N3508		
DEC2894-1B	NONE		

**digital** EQUIPMENT CORPORATION  
MAYNARD, MASSACHUSETTS

TITLE: BUS CONVERTER M507

SIZE CODE NUMBER REV  
C CS M507-0-1 D

PRINTED CIRCUIT REV. F