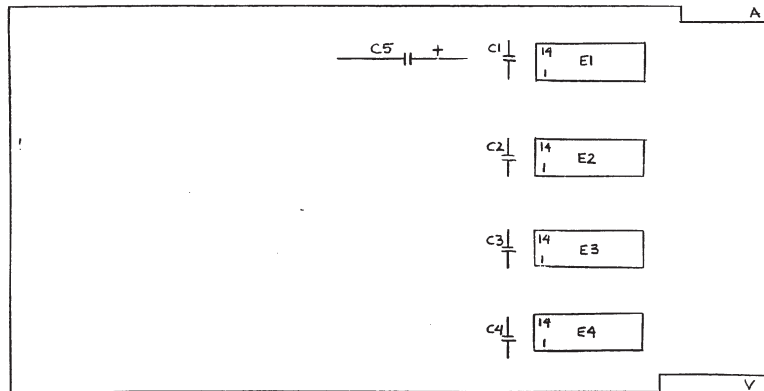
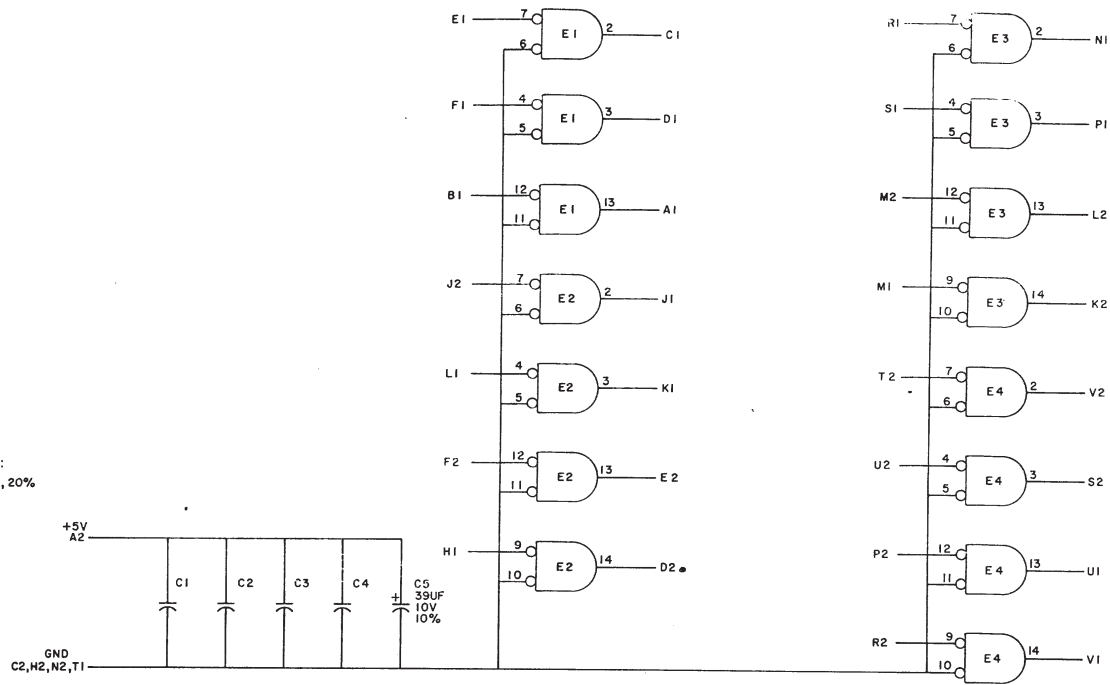


THIS SCHEMATIC IS FURNISHED ONLY FOR TEST AND MAINTENANCE PURPOSES. THE CIRCUITS ARE PROPRIETARY IN NATURE AND SHOULD BE TREATED ACCORDINGLY. COPYRIGHT 1970 BY DIGITAL EQUIPMENT CORPORATION

UNLESS OTHERWISE INDICATED:
CAPACITORS ARE .01UF, 100V, 20%
IC'S ARE DEC 380A
PIN 1= GND
PIN 8= +5V ON EACH IC



ITEM NO.	DEC PART NO.	DESCRIPTION	QTY.
9	9008337-06	HANDLE, FLIP CHIP - MAGENTA	1
8	9006732	EYELET #GS 4-7	2
7	1909485	I.C. DEC 380A	4
6	1001610	CAP. .01UF, 100V, 20% DISC	4
5	1000076	CAP. 39UF, 10V, 10% S. TANT	1
4	5009338	ETCHED CIRCUIT BOARD	1
3	B-MH-MS11-0-6	MODULE ECO HISTORY	
2	C-AH-MS11-0-5	ASSY/DRILLING HOLE LAYOUT	
1	K-CO-MS11-0-4	X-Y COORDINATE HOLE LOCATION	
PARTS LIST			

REVISIONS
CHK'D
CIR NO. REV

DRN
S. COOPER
DATE
12/10/70
CHK'D
V.M.M.
DATE
2-4-71
ENG.
J.W. BARTON
DATE
3-3-71
PROD
DATE

TRANSISTOR & DIODE CONVERSION CHART			
DEC		EIA	

digital TITLE
EQUIPMENT CORPORATION
BUS RECEIVER MS11
SIZE CODE NUMBER
C CS MS11-0-1
REV
A
PRINTED CIRCUIT REV
B

REV. A
NUMBER MS11-0-1
SIZE CODE C CS

DEC FORM NO
DRC 102