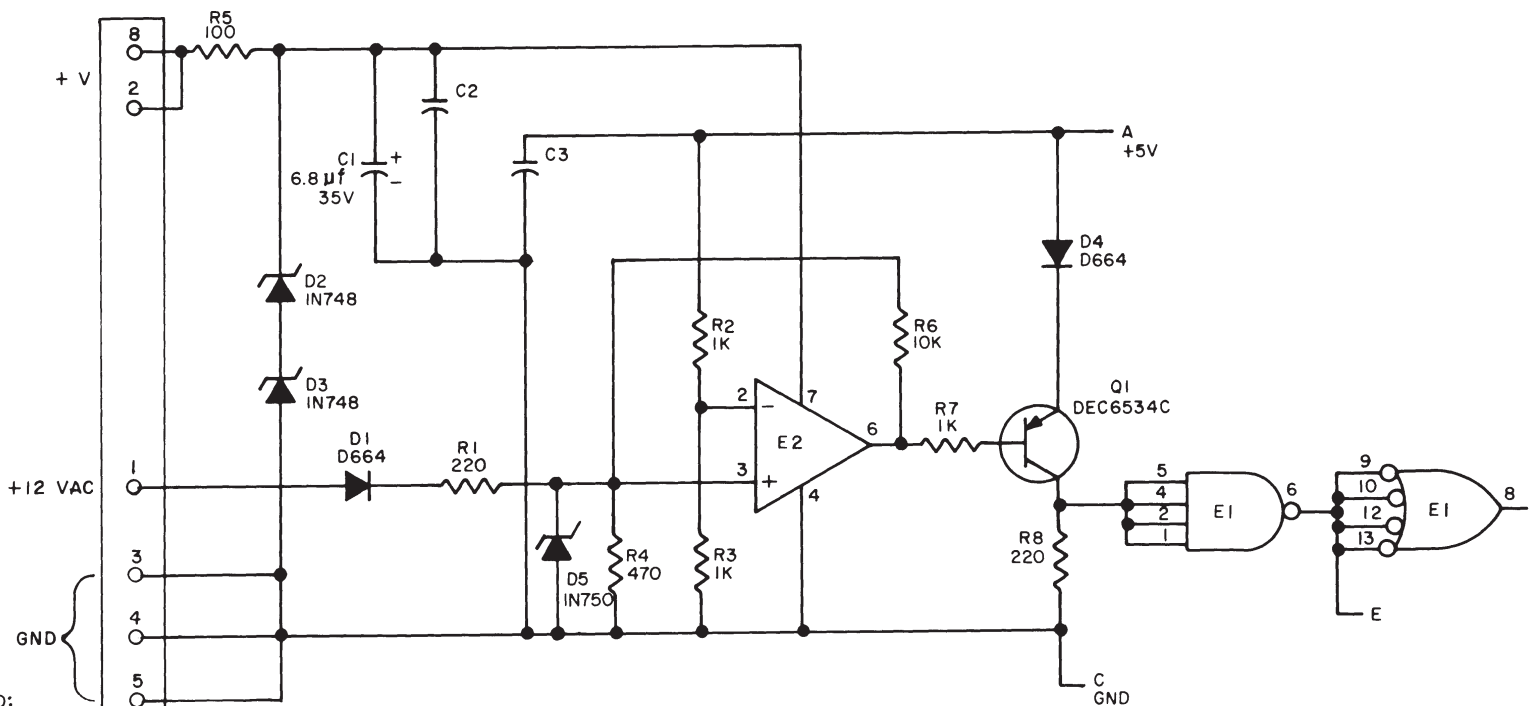


| | | | | | | | |
|------|---|--------|----------|------|------|------|---|
| REV. | D | NUMBER | M515-0-1 | CODE | B CS | SIZE | B |
|------|---|--------|----------|------|------|------|---|

THIS SCHEMATIC IS FURNISHED ONLY FOR TEST AND MAINTENANCE PURPOSES. THE CIRCUITS ARE PROPRIETARY IN NATURE AND SHOULD BE TREATED ACCORDINGLY. COPYRIGHT 1969 BY DIGITAL EQUIPMENT CORPORATION



UNLESS OTHERWISE INDICATED:

- RESISTORS ARE 1/4W, 5%
- E2 IS MC1709CG
- E1 IS DEC74H40
- CAPACITORS ARE .01 μ f, 100V, 20%
- E1 PIN 7 = GND
- E1 PIN 14 = +5V

CONNECTOR IS DEC#1209340
PINS ARE DEC #1209456

| REV. | CHG. NO. | REV. | C | D | SUPP. |
|------|----------|------|-------|---|-------|
| | | | 00001 | | |
| | | | 00003 | | |
| | | | 00004 | | |

| | | | |
|-------|--------------|------|--------|
| DRN. | BUTLER | DATE | 5/7/69 |
| CHK'D | M. Mansfield | DATE | 5-8-69 |
| ENG. | W. C. Carr | DATE | 9/3/69 |
| PROD. | | DATE | |

| TRANSISTOR & DIODE CONVERSION CHART | | | |
|-------------------------------------|--|---------|--|
| DEC | | EIA | |
| DEC6534C | | MPS6534 | |
| D664 | | IN3606 | |
| IN748 | | SAME | |
| IN750 | | SAME | |

digital
EQUIPMENT CORPORATION
MAYNARD, MASSACHUSETTS

| | | | |
|----------------------|------|----------|------|
| TITLE | | | |
| REAL TIME CLOCK M515 | | | |
| SIZE | CODE | NUMBER | REV. |
| B | CS | M515-0-1 | D |
| PRINTED CIRCUIT REV. | | | D |