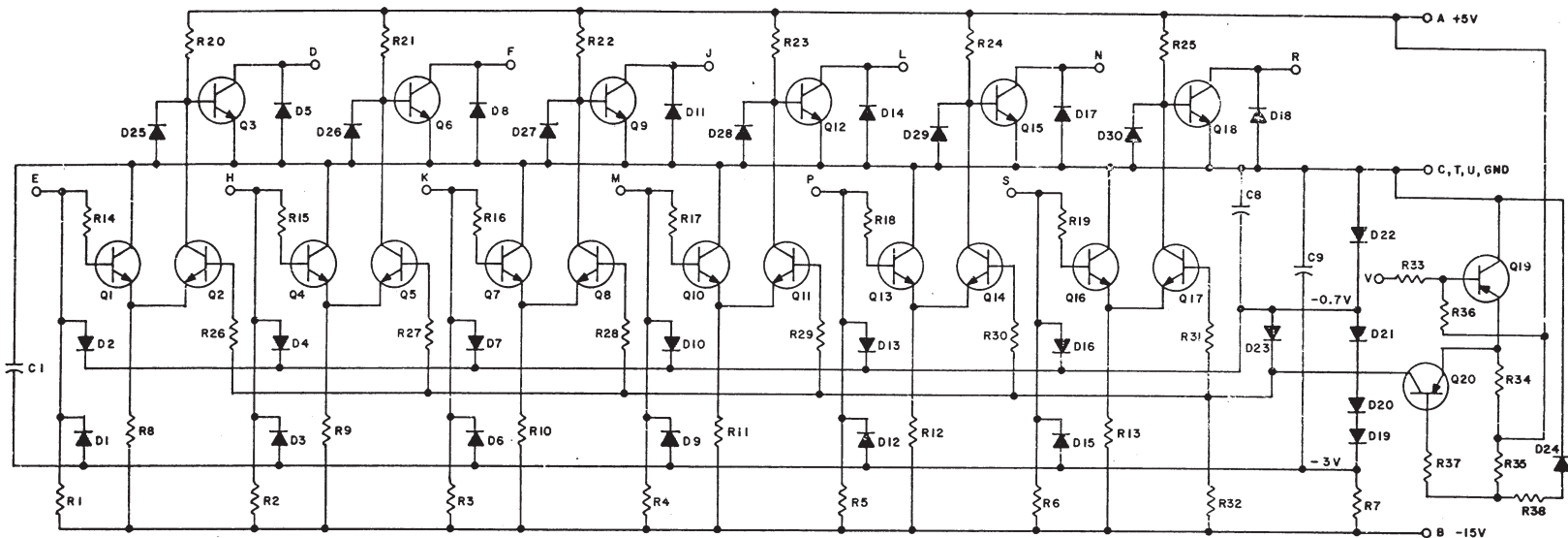


THIS SCHEMATIC IS FURNISHED ONLY FOR TEST AND MAINTENANCE PURPOSES. THE CIRCUITS ARE PROPRIETARY IN NATURE AND SHOULD BE TREATED ACCORDINGLY. COPYRIGHT 1970 BY DIGITAL EQUIPMENT CORPORATION



R34	RES. 100 1/4W 5% CC	1300229
R36	RES. 10K 1/4W 10% CC	1300481
R38	RES. 220 1/4W 10% CC	1300275
Q19, Q20	TRANSISTOR DEC2894-1B	1503097
Q1-Q18	TRANSISTOR DEC3009B-S	1503100
R20-R25, R35, R37	RES. 1K 1/4W 5% CC	1300365
R8-R13	RES. 2.2K 1/4W 5% CC	1300417
P14-R19, R26-R31, R33	RES. 470 1/4W 5% CC	1300316
R1-R7, R32	RES. .5K 1/4W 5% CC	1300391

C1, C8, C9	CAP. .01 MFD 100V 20% DISC	1001610
D19-D22, D24	DIODE D662	1100113
D1-D8, D23, D25-D30	DIODE D664	1100114
PARTS LIST		A-PL-M517-0-0
REFERENCE DESIGNATION	DESCRIPTION	PART NO.

REVISIONS  
 CHKD NO. REV  
 A 100001 A

DRN	A. Compton	DATE	8/9/70
OWNED	M. R. Miller	DATE	7/7/70
END		DATE	3/6/62
REQ.		DATE	1/3/66

TRANSISTOR & DIODE CONVERSION CHART			
DEC	EIA	DEC	EIA
DEC3009B	2N3009		
D662	1N645		
D664	1N3606		
DEC2894-1B	NONE		

TITLE  
**BUS CONVERTER M517**

COMPONENT SIZE CODE NUMBER REV.  
 CORPORATION C CS M517-0-1 A

MAYHARD MASSACHUSETTS PRINTED CIRCUIT REV

PART NUMBER  
 C CS M517-0-1  
 REV. A