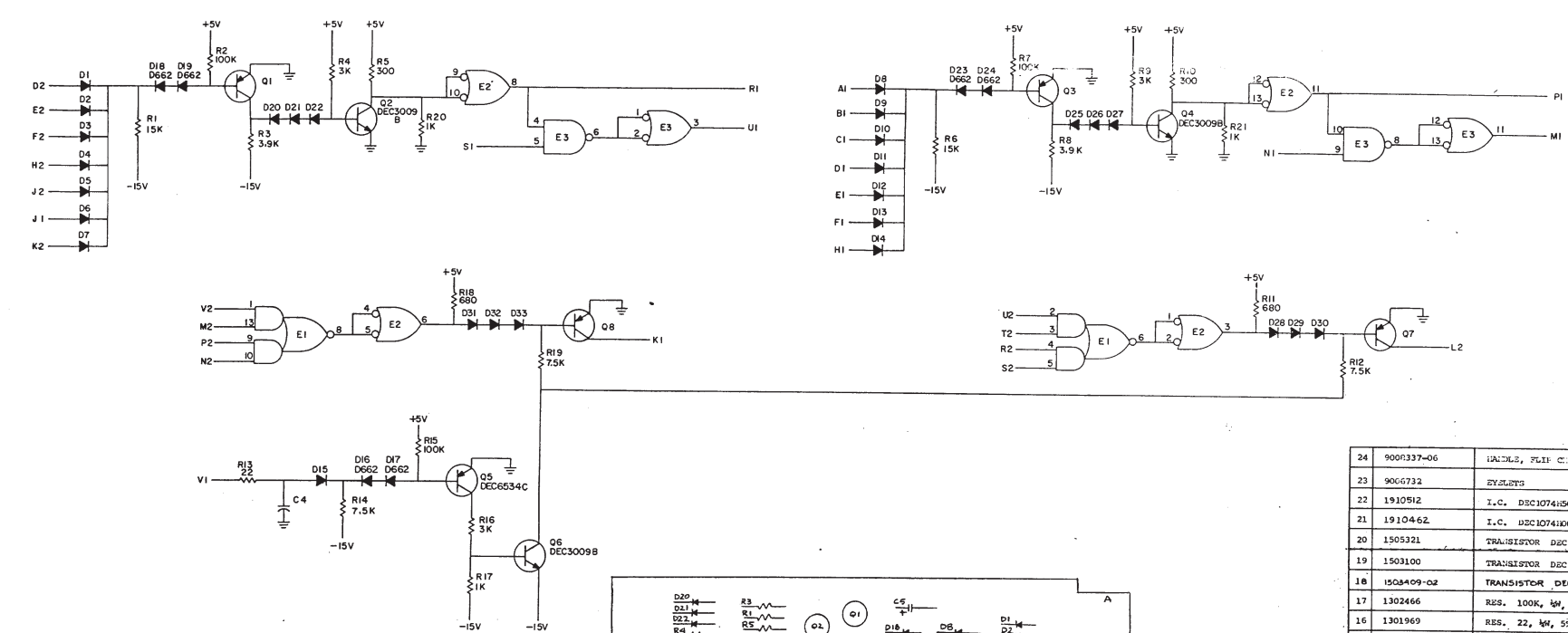
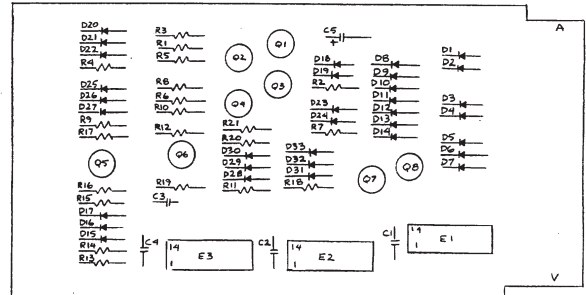
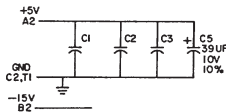


THIS SCHEMATIC IS FURNISHED ONLY FOR TEST AND MAINTENANCE PURPOSES. THE CIRCUITS ARE PROPRIETARY IN NATURE AND SHOULD BE TREATED ACCORDINGLY. COPYRIGHT 1971 BY DIGITAL EQUIPMENT CORPORATION.



UNLESS OTHERWISE INDICATED:
 RESISTORS ARE 1/4W, 5%
 CAPACITORS ARE .01UF, 100V, 20%
 TRANSISTORS ARE DEC4258
 DIODES ARE D664
 E1 IS DEC1074H50
 E2, E3 ARE DEC1074H00
 PIN 7 = GND
 PIN 14 = +5V ON EACH IC



24	9001337-06	WINDING, FLIP CHIP - MAGNETA	1
23	9006732	PLUGS	2
22	1910512	I.C. DEC1074H50	1
21	1910462	I.C. DEC1074H00	2
20	1505321	TRANSISTOR DEC 4258	4
19	1503100	TRANSISTOR DEC 3009B	3
18	1503409-02	TRANSISTOR DEC4534C	1
17	1302466	RES. 100K, 1/4W, 5%	3
16	1301969	RES. 22, 1/4W, 5%	1
15	1301425	RES. 300, 1/4W, 5%	2
14	1301424	RES. 680, 1/4W, 5%	2
13	1301422	RES. 7.5K, 1/4W, 5%	3
12	1300496	RES. 15K, 1/4W, 5%	2
11	1300444	RES. 3.9K, 1/4W, 5%	2
10	1300432	RES. 3K, 1/4W, 5%	3
9	1300365	RES. 1K, 1/4W, 5%	3
8	1100114	DIODE D664	27
7	1100113	DIODE D662	6
6	1001610	CAP. .01UF, 100V, 20% DISC	4
5	1000076	CAP. .39UF, 10V, 10% DISC	1
4	5009379	LOCAL CIRCUIT BOARD	1
3	1-0-265W	LOCAL LOG UNIT	1
		ASSEMBLING TECH. MANUAL	
		COORDINATING TECH. MANUAL	
		DESCRIPTION	REV.

DESIGNED BY G. W. WALTON	DATE 7/16/71	TRANSISTOR & DIODE CONVERSION CHART				TITLE DIGITAL I/O DEVICE SELECT M592	
GROUP 100-111	DATE 7/16/71	DEC 10642	EM 10642	DEC 10642	EM 10642	DATE 7/16/71	REV D
ENG 100-111	DATE 7/16/71	DEC4258	DEC4258	DEC4258	DEC4258	DATE 7/16/71	REV D
PROB	DATE					DATE	REV

PRINTED CIRCUIT REV. C