

DIGITAL EQUIPMENT CORPORATION
MAYNARD, MASSACHUSETTS
PARTS LIST

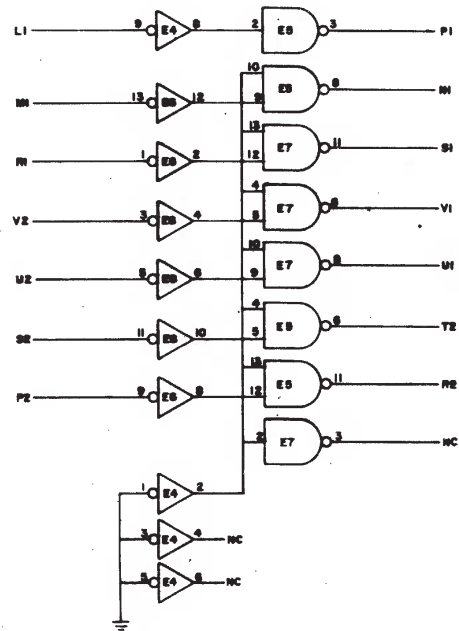
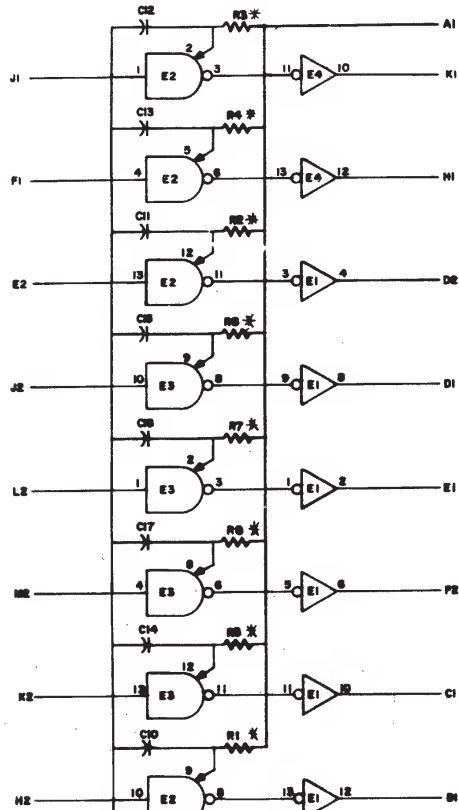
MADE BY M.A. Gilbert	CHECKED R. Wald	SECTION
DATE 3/12/71	DATE 3/12/71	
ENG R. Lisie	PROD R. Silverman	ISSUED SECT.
DATE 3/16/71	DATE 6/14/71	

QUANTITY / VARIATION

ITEM NO.	DWG NO. / PART NO.	DESCRIPTION	M594	M594-YB																
1	C-CS-M594-0-1	CIRCUIT SCHEMATIC																		
2	K-CO-M594-0-4	X-Y COORDINATE HOLE LOCATION																		
3	D-AH-M594-0-5	ASSY/DRILLING HOLE LAYOUT																		
4	B-MH-M594-0-6	MODULE ECO HISTORY																		
5	5009443	ETCHED CIRCUIT BOARD	1	1																
6	1000024	CAP. 470PF 100v 5% D.M.	8	8	C10	C11	C12	C13	C14	C15	C16	C17								
7	1001610	CAP. .01UF 100v 20% DISC	11	11	C1	C2	C3	C4	C5	C6	C7	C8	C9	C18						
																				C19
9	1210244-0	GRIPLET																		
10	1300510	RES. 33K 1/4W 10%	0	8	R1	R2	R3	R4	R5	R6	R7	R8								
11	1909686	I.C. DEC 7404	3	3	E1	E4	E6													
12	1910322	I.C. DEC 1488L	2	2	E5	E7														
13	1910323	I.C. DEC 1489L	2	2	E2	E3														
14	9006732	EYELET #GS4-7	2	2																
15	9008337-06	HANDLE FLIP CHIP - MAGENTA	1	1																
16	1100125	1N758A ZENER DIODE	2	2	D1	D2														
17	1300295	RES 330 1/2w 5%	2	2			R9	R10												
18	1002433	CAP. 22UF 35v 20% S.TANT	2	2	C20	C21														
19	15-1913	TRANSISTOR 2N2904A	1	1	D1															
20	15-1881	TRANSISTOR DEC 2219	1	1	D2															
21	9008351-0	TRANSISTOR CAP	2	2																

TITLE EIA LEVEL CONVERTER M594	ASSY NO.	SIZE CODE A PL	NUMBER M594-C-0	REV. D	ECO NO. 00004
	SHEET 1 OF 1	DIST. 324 434 435 2			

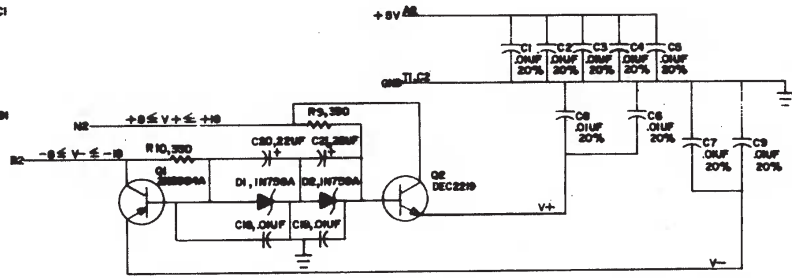
THIS SCHEMATIC IS FURNISHED ONLY FOR TEST AND MAINTENANCE PURPOSES. THE CIRCUITS ARE PROPRIETARY IN NATURE AND SHOULD BE TREATED ACCORDINGLY. COPYRIGHT 1971 BY DIGITAL EQUIPMENT CORPORATION



UNLESS OTHERWISE INDICATED:
CAPACITORS ARE 470 PF, 100V, 5%

E1, E4, E6 = DEC7404
E5, E7 = DEC1488L
E2, E3 = DEC1489L
PIN 7: GND
PIN 14: +5V ON E1-E4, E6
PIN 1: -V
PIN 7: GND ON E5, E7
PIN 14: +V

* NOTE
R1 - R8 INSERTED FOR YB VAR.
A1 MUST BE TIED TO -15V FOR
3V HYSTERESIS.



REV	DESCRIPTION	DATE
1	INITIAL DESIGN	1/15/71
2	REVISION	2/10/71
3	REVISION	3/10/71
4	REVISION	4/10/71
5	REVISION	5/10/71

DESIGN	DATE
S. CORRELL	1/15/71
CHECKED	DATE
E. J. CORRELL	2/10/71
DATE	DATE
3-14-71	
PROD.	DATE

TRANSISTOR & DIODE CONVERSION CHART			
DEC	EA	DEC	EA

EQUIPMENT CORPORATION			TITLE	
MAYFIELD, MASSACHUSETTS			EIA LEVEL CONVERTER	
			M594	
SIZE	CODE	NUMBER	REV.	
C	CS	M594-0-1	D	
PRINTED CIRCUIT REV.				

DEC FORM NO. 102

Print

M594-0-1